

Designation system



Prefixes

R Bearing without an inner ring

Basic designation

- BK Drawn cup needle roller bearing with a closed end
- HK Drawn cup needle roller bearing with open ends
- HN Drawn cup needle roller bearing with open ends, full complement
- IR Needle roller bearing inner ring
- K Needle roller and cage assembly
- LR Needle roller bearing inner ring
- NA 48,
NA 49,
NA 69 Needle roller bearing with machined rings, with flanges, with an inner ring
- NAO Needle roller bearing with machined rings, without flanges, with an inner ring
- NK, NKS Needle roller bearing with machined rings, with flanges, without an inner ring
- NKI, NKIS Needle roller bearing with machined rings, with flanges, with an inner ring
- NKIA 59, NKIB 59 Needle roller / angular contact ball bearing
- NKX Needle roller / thrust ball bearing
- NKXR Needle roller / cylindrical roller thrust bearing
- NX Needle roller / full complement thrust ball bearing
- PNA Alignment needle roller bearing
- RN Needle roller

Suffixes

Group 1: Internal design

- BF Needle roller with flat ends
- D Deviating or modified internal design with the same boundary dimensions.
Example: K 40x45x17 D (Needle roller and cage assembly with a double split cage)
- DS Single split needle roller and cage assembly
- EGS Inner ring with a non-directionally ground raceway
- VGS Inner ring with a pre-ground raceway and a machining allowance
- ZW Double row needle roller and cage assembly (double row cage)

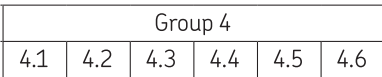
Group 2: External design (seals, snap ring groove, etc.)

- AS.. Outer ring with lubrication hole(s), the number following indicates the number of holes
- ASR.. Outer ring with annular groove and lubrication hole(s), the number following indicates the number of holes
- IS.. Inner ring with lubrication hole(s), the number following indicates the number of holes
- ISR.. Inner ring with annular groove and lubrication hole(s), the number following indicates the number of holes
- RS, .2RS Contact seal on one or both sides, respectively
 - NBR or FKM or PUR for a drawn cup needle roller bearing
 - NBR for a machined needle roller bearing
- Z Combined needle roller bearing, factory greased thrust bearing with a cover without lubrication holes over the outside diameter

Group 3: Cage design

TN Glass fibre reinforced PA66 cage





Group 4.6: Other variants

VG052 Single split PES (polyethersulfone) cage

Group 4.5: Lubrication

SM.. Special grease, two numbers following identify the grease

Group 4.4: Stabilization

- S0** Bearing or inner ring heat stabilized for operating temperatures $\leq 150\text{ }^{\circ}\text{C}$ (300 °F)
- S1** Bearing or inner ring heat stabilized for operating temperatures $\leq 200\text{ }^{\circ}\text{C}$ (390 °F)
- S2** Bearing or inner ring heat stabilized for operating temperatures $\leq 250\text{ }^{\circ}\text{C}$ (480 °F)
- S3** Bearing or inner ring heat stabilized for operating temperatures $\leq 300\text{ }^{\circ}\text{C}$ (570 °F)

Group 4.3: Bearing sets, matched bearings

..S Matched bearings for an equal load distribution. The number preceding indicates the number of bearings, e.g. NK 50/25 TN/2S

Group 4.2: Accuracy, clearance, preload, quiet running

- /SORT..** Tolerance grade of needle rollers of a needle roller and cage assembly, the numbers following identify the actual limits in μm , e.g. /SORT-2-4
- CN** Normal radial internal clearance; only used together with an additional letter that identifies a reduced or displaced clearance range
 - H** Reduced clearance range corresponding to the upper half of the actual clearance range
 - L** Reduced clearance range corresponding to the lower half of the actual clearance range
 - M** Reduced clearance range corresponding to the two middle quarters of the actual clearance range
 - P** Displaced clearance range comprising the upper half of the actual clearance range plus the lower half of the next larger clearance range
 - R** Normal clearance range in accordance with the withdrawn DIN 620-4

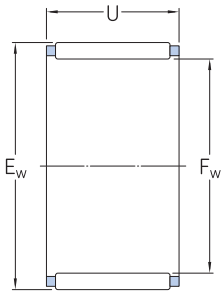
The above letters H, L, M and P are also used together with the clearance classes C2, C3, C4.
- C2** Radial internal clearance smaller than Normal
- C3** Radial internal clearance greater than Normal
- C4** Radial internal clearance greater than C3
- G2** Needle roller in accordance with ISO 3096 Grade 2
- H..** Bearing without an inner ring and reduced inside diameter (under rollers) tolerance, the numbers following indicate the tolerance limits in μm , e.g. H+27+20
- M./M..** Diameter tolerance of needle rollers, e.g. M2/M4 indicates diameter tolerance -2 to $-4\text{ }\mu\text{m}$
- N/M..** Diameter tolerance of needle rollers, e.g. N/M2 indicates diameter tolerance 0 to $-2\text{ }\mu\text{m}$
- P5** Dimensional and geometrical tolerances to class P5
- P6** Dimensional and geometrical tolerances to class P6
- P62** P6 + C2
- P63** P6 + C3
- P6CNR** P6 + CNR

Group 4.1: Materials, heat treatment



7.1 Needle roller and cage assemblies

F_w 3 – 30 mm



Principal dimensions			Basic load ratings		Fatigue load limit	Speed ratings		Mass	Designation	Associated radial shaft seals ¹⁾	
F_w	E_w	U	dynamic	static	P_u	Reference speed	Limiting speed			Single lip	Double lip
mm			kN		kN	r/min		g	–	–	
3	5	7	1,51	1,34	0,134	40 000	45 000	0,3	K 3x5x7 TN	–	–
	5	9	1,68	1,53	0,153	40 000	45 000	0,4	▶ K 3x5x9 TN	–	–
4	7	7	1,72	1,32	0,137	36 000	43 000	0,5	K 4x7x7 TN	–	–
	7	10	2,29	1,9	0,204	36 000	43 000	0,7	K 4x7x10 TN	–	–
5	8	8	2,29	2	0,212	36 000	40 000	0,7	K 5x8x8 TN	–	–
	8	10	2,92	2,7	0,29	36 000	40 000	0,9	▶ K 5x8x10 TN	–	–
6	9	8	2,55	2,36	0,25	34 000	38 000	0,8	K 6x9x8 TN	–	–
	9	10	3,3	3,2	0,345	34 000	38 000	1,1	K 6x9x10 TN	–	–
7	10	8	2,81	2,75	0,29	32 000	36 000	0,9	K 7x10x8 TN	–	–
	10	10	3,58	3,75	0,415	32 000	36 000	1	K 7x10x10 TN	–	–
8	11	10	3,8	4,25	0,465	32 000	36 000	1,2	K 8x11x10 TN	–	–
	11	13	5,01	5,85	0,67	32 000	36 000	1,7	K 8x11x13 TN	–	–
	12	10	4,84	4,75	0,54	30 000	34 000	2	K 8x12x10 TN	G 8x12x3	–
9	12	10	4,4	5,2	0,57	30 000	34 000	1,5	K 9x12x10 TN	–	–
10	13	10	4,57	5,7	0,63	28 000	32 000	1,6	▶ K 10x13x10 TN	–	–
	13	13	5,94	8	0,9	28 000	32 000	2,3	K 10x13x13 TN	–	–
	14	10	5,61	6,1	0,695	28 000	32 000	2,5	K 10x14x10 TN	G 10x14x3	–
	14	13	7,21	8,5	0,98	28 000	32 000	4,6	K 10x14x13 TN	G 10x14x3	–
12	16	12	7,65	7,2	0,85	28 000	32 000	5,5	K 10x16x12 TN	–	–
	15	10	4,73	6,2	0,695	26 000	30 000	2,9	K 12x15x10 TN	–	–
	15	13	6,16	8,65	0,98	26 000	30 000	2,3	K 12x15x13 TN	–	–
	16	13	7,65	9,5	1,1	26 000	30 000	3,6	K 12x16x13 TN	G 12x16x3	–
14	17	13	9,13	10,4	1,22	26 000	30 000	4,9	K 12x17x13 TN	–	–
	18	12	9,52	10	1,18	26 000	30 000	6	K 12x18x12 TN	G 12x18x3	SD 12x18x3
14	18	10	6,93	8,65	1	24 000	28 000	4	K 14x18x10	–	–
	18	13	7,92	10,2	1,18	24 000	28 000	6,5	K 14x18x13	–	–
	18	15	9,13	12,5	1,46	24 000	28 000	5	K 14x18x15 TN	–	–
	18	17	10,5	14,6	1,7	24 000	28 000	8	K 14x18x17	–	–
15	19	13	8,25	11,2	1,29	24 000	28 000	7	▶ K 15x19x13	–	–
	19	17	10,8	15,6	1,86	24 000	28 000	9,5	▶ K 15x19x17	–	–
	21	15	13,8	16,3	2	24 000	26 000	11	K 15x21x15	G 15x21x3	SD 15x21x3
	21	21	18,7	24,5	3	24 000	26 000	17	K 15x21x21	G 15x21x3	SD 15x21x3

▶ Popular item

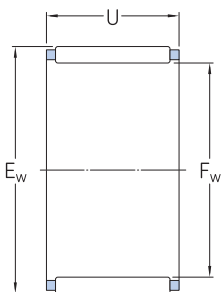
¹⁾ For additional information → skf.com/seals

Principal dimensions			Basic load ratings		Fatigue load limit P _u	Speed ratings		Mass g	Designation	Associated radial shaft seals ¹⁾	
F _w	E _w	U	dynamic C	static C ₀		Reference speed	Limiting speed			Single lip	Double lip
mm			kN		kN	r/min			-	-	
16	20	10	7,48	10	1,16	24 000	26 000	5,5	K 16x20x10	-	-
	20	13	8,58	12	1,37	24 000	26 000	7,5	K 16x20x13	-	-
	20	17	11,2	17	2	24 000	26 000	10	K 16x20x17	-	-
	22	12	11	12,5	1,5	22 000	26 000	10	K 16x22x12	G 16x22x3	SD 16x22x3
	22	16	14,2	17,6	2,12	22 000	26 000	12	K 16x22x16	G 16x22x3	SD 16x22x3
	22	20	17,6	22,8	2,8	22 000	26 000	17	K 16x22x20	G 16x22x3	SD 16x22x3
	24	20	20,5	23,6	2,9	22 000	24 000	22	K 16x24x20	G 16x24x3	SD 16x24x3
	21	10	7,81	10,8	1,22	22 000	26 000	5,5	K 17x21x10	-	-
	18	24	12	12,1	15	1,8	20 000	24 000	12	K 18x24x12	G 18x24x3
19	23	13	9,13	13,7	1,6	20 000	24 000	8	K 19x23x13	-	-
20	24	10	8,58	12,9	1,46	20 000	22 000	6,5	K 20x24x10	-	-
	24	13	9,52	14,6	1,66	20 000	22 000	9	K 20x24x13	-	-
	24	17	12,5	20,8	2,4	20 000	22 000	12	K 20x24x17	-	-
	26	17	18,3	26	3,2	19 000	22 000	16	K 20x26x17	G 20x26x4	SD 20x26x4
	26	20	20,1	29	3,6	19 000	22 000	19	▶ K 20x26x20	G 20x26x4	SD 20x26x4
	28	20	22,9	28,5	3,45	18 000	20 000	27	▶ K 20x28x20	G 20x28x4	SD 20x28x4
	28	25	29,2	39	4,9	18 000	20 000	32	▶ K 20x28x25	G 20x28x4	SD 20x28x4
30	30	34,1	41,5	5,2	17 000	20 000	49	K 20x30x30	-	-	
21	25	13	9,68	15,3	1,76	19 000	22 000	9	K 21x25x13	-	-
22	26	10	8,8	13,7	1,56	18 000	20 000	7,5	▶ K 22x26x10	-	-
	26	13	10,1	16,3	1,86	18 000	20 000	9,5	K 22x26x13	-	-
	26	17	13,2	22,8	2,7	18 000	20 000	12	K 22x26x17	-	-
	28	17	18,3	27	3,25	17 000	20 000	18	K 22x28x17	G 22x28x4	SD 22x28x4
	29	16	19,4	25,5	3,05	17 000	19 000	16	K 22x29x16	-	-
	30	15	19	23,6	2,8	17 000	19 000	18	K 22x30x15 TN	G 22x30x4	SD 22x30x4
23	35	16	24,2	23,2	2,9	15 000	17 000	29	K 23x35x16 TN	-	-
24	28	10	9,35	15	1,73	17 000	19 000	8,5	K 24x28x10	-	-
	28	13	10,6	18	2,08	17 000	19 000	10	K 24x28x13	-	-
	30	17	18,7	27,5	3,4	16 000	18 000	19	K 24x30x17	-	-
25	29	10	9,52	15,6	1,8	16 000	18 000	8,5	K 25x29x10	-	-
	29	13	10,8	18,6	2,16	16 000	18 000	11	K 25x29x13	-	-
	30	17	17,9	30,5	3,6	16 000	18 000	16	K 25x30x17	-	-
	30	20	20,9	36,5	4,4	16 000	18 000	18	K 25x30x20	-	-
	32	16	19,8	27,5	3,35	15 000	17 000	21	K 25x32x16	G 25x32x4	-
	33	20	27,5	38	4,65	15 000	17 000	33	K 25x33x20	G 25x33x4	SD 25x33x4
	35	30	44,6	62	7,8	15 000	17 000	65	▶ K 25x35x30	G 25x35x4	SD 25x35x4
26	30	13	11,2	19,6	2,28	16 000	18 000	11	K 26x30x13	-	-
28	33	13	14,7	24,5	2,85	14 000	16 000	13	K 28x33x13	-	-
	33	17	19	33,5	4,05	14 000	16 000	17	K 28x33x17	-	-
30	35	13	15,1	25,5	3	13 000	15 000	14	K 30x35x13	-	-
	35	17	18,7	34	4,05	13 000	15 000	19	K 30x35x17	-	-
	35	27	29,2	60	7,35	13 000	15 000	30	K 30x35x27	-	-
	37	18	25,1	39	4,65	13 000	15 000	30	K 30x37x18	G 30x37x4	SD 30x37x4
	40	30	46,8	69,5	8,65	12 000	14 000	73	K 30x40x30	G 30x40x4	SD 30x40x4

▶ Popular item
¹⁾ For additional information → skf.com/seals

7.1 Needle roller and cage assemblies

F_w 32 – 100 mm



Principal dimensions			Basic load ratings		Fatigue load limit	Speed ratings		Mass	Designation	Associated radial shaft seals ¹⁾	
F_w	E_w	U	dynamic	static	P_u	Reference speed	Limiting speed			Single lip	Double lip
mm			kN		kN	r/min		g	–	–	
32	37	13	14,7	25,5	3	13 000	14 000	18	K 32x37x13	–	–
	37	17	19	35,5	4,25	13 000	14 000	19	K 32x37x17	–	–
	38	20	25,1	45	5,6	12 000	14 000	30	K 32x38x20	–	–
	40	25	35,8	58,5	7,2	12 000	14 000	49	K 32x40x25	–	–
35	40	13	15,4	28	3,25	12 000	13 000	19	K 35x40x13	–	–
	40	17	19,8	39	4,65	12 000	13 000	21	K 35x40x17	–	–
	40	27	23,8	49	6	12 000	13 000	39	K 35x40x27 TN	–	–
	42	16	23,3	37,5	4,5	11 000	13 000	34	K 35x42x16	G 35x42x4	SD 35x42x4
	42	18	26,4	44	5,3	11 000	13 000	34	K 35x42x18	G 35x42x4	SD 35x42x4
	45	20	35,2	50	6,2	11 000	12 000	56	K 35x45x20	G 35x45x4	SD 35x45x4
37	42	17	21,6	43	5,2	11 000	13 000	22	K 37x42x17	–	–
38	43	17	19,8	39	4,65	11 000	12 000	29	K 38x43x17	–	–
	46	32	52,3	100	12,5	10 000	12 000	76	K 38x46x32	–	–
40	45	17	20,5	41,5	5	10 000	12 000	31	K 40x45x17	–	–
	45	27	31,4	73,5	9	10 000	12 000	46	K 40x45x27	–	–
	48	20	34,7	58,5	7,35	10 000	11 000	49	► K 40x48x20	–	–
42	47	17	20,9	43	5,2	10 000	11 000	32	K 42x47x17	–	–
	50	20	33,6	57	7,1	9 500	11 000	53	K 42x50x20	–	–
43	48	17	20,9	43	5,2	9 500	11 000	30	K 43x48x17	–	–
45	50	17	21,6	46,5	5,6	9 000	10 000	34	K 45x50x17	–	–
	50	27	33	81,5	10	9 000	10 000	52	K 45x50x27	–	–
	53	28	49,5	98	12,2	9 000	10 000	81	K 45x53x28	–	–
47	52	17	22,4	49	6	9 000	10 000	35	K 47x52x17	–	–
50	55	20	25,5	60	7,2	8 500	9 500	43	► K 50x55x20	–	–
	55	30	37,4	98	12	8 500	9 500	65	K 50x55x30	–	–
	57	18	31,9	64	7,8	8 000	9 000	47	K 50x57x18	–	–
	58	25	41,8	81,5	10,2	8 000	9 000	90	K 50x58x25	G 50x58x4	SD 50x58x4
55	60	20	27	67	8,15	7 500	8 500	40	K 55x60x20	–	–
	60	30	39,6	108	13,4	7 500	8 500	71	K 55x60x30	–	–
	62	18	34,1	71	8,5	7 500	8 500	52	K 55x62x18	–	–
	63	32	59,4	129	16,3	7 500	8 500	102	K 55x63x32	G 55x63x5	–

► Popular item

¹⁾ For additional information → skf.com/seals

Principal dimensions			Basic load ratings		Fatigue load limit P _u	Speed ratings		Mass	Designation	Associated radial shaft seals ¹⁾	
F _w	E _w	U	dynamic C	static C ₀		Reference speed	Limiting speed			Single lip	Double lip
mm			kN		kN	r/min		g	–	–	
60	65	20	28,1	72	8,8	7 000	8 000	52	K 60x65x20	–	–
	68	25	51,2	112	14	6 700	7 500	89		K 60x68x25	–
65	73	30	53,9	125	15,6	6 300	7 000	141	▶ K 65x73x30	–	–
70	76	20	34,1	86,5	10,6	6 000	6 700	71	K 70x76x20	–	–
	78	30	57,2	137	17	6 000	6 700	148		K 70x78x30	G 70x78x5
75	83	23	47,3	110	13,7	5 300	6 300	124	K 75x83x23	–	–
80	88	30	68,2	176	22	5 000	6 000	138	K 80x88x30	–	–
85	92	20	42,9	108	13,2	4 800	5 600	102	K 85x92x20	–	–
90	97	20	42,9	114	13,7	4 500	5 300	109	K 90x97x20	–	–
	98	30	64,4	173	21,6	4 500	5 300	172		K 90x98x30	–
95	103	30	66	180	22,8	4 300	5 000	165	K 95x103x30	–	–
100	108	27	55	143	17,6	4 000	4 800	185	K 100x108x27	–	–

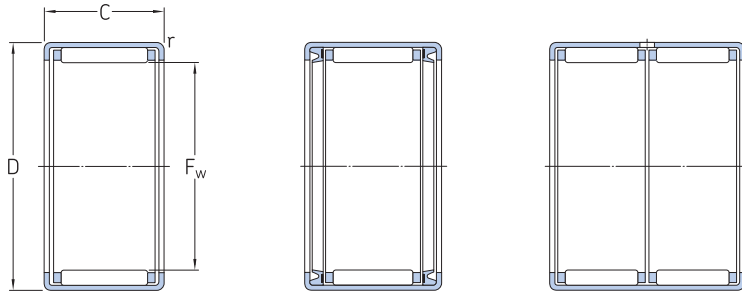


▶ Popular item

¹⁾ For additional information → skf.com/seals

7.2 Drawn cup needle roller bearings

F_w 3 – 17 mm



HK

HK...2RS

HK (double row)

Principal dimensions			Basic load ratings		Fatigue load limit	Speed ratings		Mass	Designation
F_w	D	C	C	C_0		Reference speed	Limiting speed		
mm			kN		kN	r/min		g	–
3	6,5	6	1,23	0,88	0,088	24 000	26 000	1	▶ HK 0306 TN
4	8	8	1,76	1,37	0,14	22 000	26 000	2	▶ HK 0408
5	9	9	2,38	2,08	0,22	22 000	24 000	2	▶ HK 0509
6	10	8	2,01	1,73	0,18	20 000	22 000	2,1	▶ HK 0608
	10	9	2,81	2,7	0,285	20 000	22 000	2,5	HK 0609
7	11	9	3,03	3,05	0,325	20 000	22 000	2,6	HK 0709
8	12	8	2,7	2,75	0,285	19 000	22 000	2,7	▶ HK 0808
	12	10	3,69	4,05	0,44	19 000	22 000	3	▶ HK 0810
	12	12	2,7	2,75	0,285	–	13 000	3,3	▶ HK 0812.2RS
9	13	8	3,52	3,9	0,415	18 000	20 000	3	▶ HK 0908
	13	10	4,13	4,8	0,53	18 000	20 000	4	▶ HK 0910
	13	12	5,12	6,4	0,72	18 000	20 000	4,6	HK 0912
10	14	10	4,29	5,3	0,57	18 000	20 000	4,1	HK 1010
	14	12	5,39	6,95	0,78	18 000	20 000	4,8	▶ HK 1012
	14	14	4,29	5,3	0,57	–	12 000	4,6	▶ HK 1014.2RS
	14	15	6,6	9	1,02	18 000	20 000	6	▶ HK 1015
12	16	10	4,84	6,4	0,71	16 000	18 000	4,6	▶ HK 1210
	18	12	6,27	7,35	0,85	16 000	18 000	9,5	▶ HK 1212
	18	16	6,27	7,35	0,85	–	10 000	11	▶ HK 1216.2RS
13	19	12	6,6	8	0,915	16 000	17 000	10,5	▶ HK 1312
14	20	12	6,82	8,65	0,98	15 000	17 000	10,5	▶ HK 1412
15	21	12	7,65	9,5	1,08	15 000	16 000	11	▶ HK 1512
	21	16	10,1	14,6	1,7	15 000	16 000	15	▶ HK 1516
	21	22	13	20	2,28	15 000	16 000	20	▶ HK 1522 ¹⁾
16	22	12	7,37	9,8	1,12	14 000	16 000	12	▶ HK 1612
	22	16	10,5	15,6	1,8	14 000	16 000	16	▶ HK 1616
	22	20	10,5	15,6	1,8	–	9 000	18	HK 1620.2RS
	22	22	12,8	19,6	2,24	14 000	16 000	24	▶ HK 1622 ¹⁾
17	23	12	7,65	10,6	1,2	14 000	15 000	13	▶ HK 1712

▶ Popular item

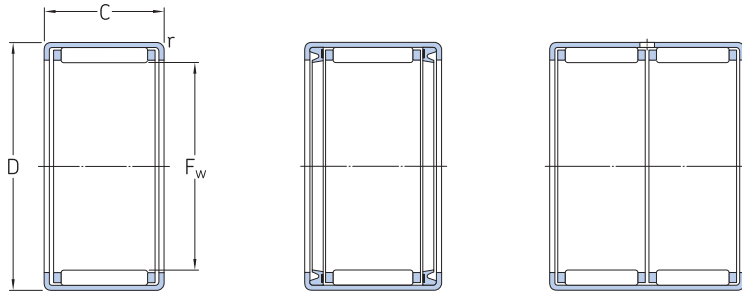
¹⁾ Double row, outer ring with a lubrication hole.

Dimensions		Associated inner rings ¹⁾		Associated radial shaft seals ²⁾	
F_w	r min.	IR series	LR series	Single lip	Double lip
mm		–		–	
3	0,3	–	–	–	–
4	0,3	–	–	G 4x8x2 S	–
5	0,4	–	–	G 5x9x2 S	–
6	0,4	–	–	G 6x10x2 S	–
	0,4	–	–	G 6x10x2 S	–
7	0,4	–	–	G 7x11x2 S	–
8	0,4	–	–	G 8x12x3	–
	0,4	IR 5x8x12	–	G 8x12x3	–
	0,4	–	–	–	–
9	0,4	–	–	G 9x13x3	–
	0,4	–	–	G 9x13x3	–
	0,4	IR 6x9x12	–	G 9x13x3	–
10	0,4	IR 7x10x10.5	LR 7x10x10.5	G 10x14x3	–
	0,4	IR 7x10x12	–	G 10x14x3	–
	0,4	–	–	–	–
	0,4	IR 7x10x16	–	G 10x14x3	–
12	0,4	IR 8x12x10.5	LR 8x12x10.5	G 12x16x3	–
	0,8	IR 8x12x12.5	LR 8x12x12.5	G 12x18x3	SD 12x18x3
	0,8	–	–	–	–
13	0,8	IR 10x13x12.5	LR 10x13x12.5	G 13x19x3	–
14	0,8	IR 10x14x13	–	G 14x20x3	SD 14x20x3
15	0,8	IR 12x15x12.5	LR 12x15x12.5	G 15x21x3	SD 15x21x3
	0,8	IR 12x15x16.5	LR 12x15x16.5	G 15x21x3	SD 15x21x3
	0,8	IR 12x15x22.5	LR 12x15x22.5	G 15x21x3	SD 15x21x3
16	0,8	IR 12x16x13	–	G 16x22x3	SD 16x22x3
	0,8	IR 12x16x16	–	G 16x22x3	SD 16x22x3
	0,8	–	–	–	–
	0,8	IR 12x16x22	–	G 16x22x3	SD 16x22x3
17	0,8	–	–	G 17x23x3	SD 17x23x3

¹⁾ For additional information → Needle roller bearing inner rings, page 593
²⁾ For additional information → skf.com/seals

7.2 Drawn cup needle roller bearings

F_w 18 – 30 mm



HK

HK...2RS

HK (double row)

Principal dimensions			Basic load ratings dynamic static		Fatigue load limit	Speed ratings Reference speed Limiting speed		Mass	Designation	
F_w	D	C	C	C_0	P_u					
mm			kN		kN	r/min		g	–	
18	24	12	7,92	11,2	1,27	13 000	15 000	13	▶ HK 1812	
	24	16	7,92	11,2	1,27	–	8 500	15	▶ HK 1816.2RS	
	24	16	11,2	17,6	2,04	13 000	15 000	18	▶ HK 1816	
20	26	10	6,16	8,5	0,93	12 000	14 000	12	▶ HK 2010	
	26	12	8,42	12,5	1,4	12 000	14 000	14	▶ HK 2012	
	26	16	8,42	12,5	1,4	–	8 000	18	▶ HK 2016.2RS	
	26	16	12,3	20,4	2,36	12 000	14 000	19	▶ HK 2016	
	26	20	12,3	20,4	2,36	–	8 000	23	▶ HK 2020.2RS	
	26	20	15,1	26,5	3,15	12 000	14 000	24	▶ HK 2020	
	26	30	20,9	40,5	4,75	12 000	14 000	35	▶ HK 2030 ¹⁾	
	22	28	10	7,21	10,6	1,2	11 000	12 000	13	▶ HK 2210
		28	12	8,8	13,7	1,56	11 000	12 000	15	▶ HK 2212
28		16	8,8	13,7	1,56	–	7 500	18	▶ HK 2216.2RS	
	28	16	13	22,4	2,6	11 000	12 000	21	▶ HK 2216	
	28	20	13	22,4	2,6	–	7 500	23	▶ HK 2220.2RS	
	28	20	15,7	29	3,45	11 000	12 000	26	▶ HK 2220	
25	32	12	10,5	15,3	1,76	9 500	11 000	20	▶ HK 2512	
	32	16	10,5	15,3	1,76	–	6 700	27	▶ HK 2516.2RS	
	32	16	15,1	24	2,85	9 500	11 000	25	▶ HK 2516	
	32	20	15,1	24	2,85	–	6 700	31	▶ HK 2520.2RS	
	32	20	19	32,5	4	9 500	11 000	33	▶ HK 2520	
	32	26	24,2	45	5,5	9 500	11 000	44	▶ HK 2526	
	32	30	24,2	45	5,5	–	6 700	47	▶ HK 2530.2RS	
	32	38	33	65,5	8	9 500	11 000	64	▶ HK 2538 ¹⁾	
	28	35	16	15,7	26,5	3,15	9 000	9 500	26,5	▶ HK 2816
35		20	15,7	26,5	3,15	–	6 300	34	▶ HK 2820.2RS	
35		20	20,1	36,5	4,4	9 000	9 500	36	▶ HK 2820	
30	37	12	11,7	18,3	2,12	8 000	9 000	23	▶ HK 3012	
	37	16	11,7	18,3	2,12	–	5 600	31	▶ HK 3016.2RS	
	37	16	16,5	29	3,4	8 000	9 000	31	▶ HK 3016	
	37	20	20,9	40	4,75	8 000	9 000	38	▶ HK 3020	
	37	26	27	54	6,55	8 000	9 000	51	▶ HK 3026	
	37	38	35,8	80	9,5	8 000	9 000	76	▶ HK 3038 ¹⁾	

▶ Popular item

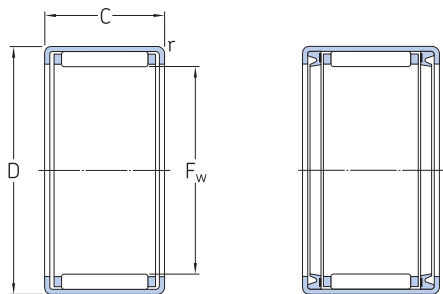
¹⁾ Double row, outer ring with a lubrication hole.

Dimensions		Associated inner rings ¹⁾		Associated radial shaft seals ²⁾	
F _w	r min.	IR series	LR series	Single lip	Double lip
mm		-		-	
18	0,8	-	LR 15x18x12.5	G 18x24x3	SD 18x24x3
	0,8	IR 15x18x16.5	LR 15x18x16.5	-	-
	0,8	IR 15x18x16.5	LR 15x18x16.5	G 18x24x3	SD 18x24x3
20	0,8	-	-	G 20x26x4	SD 20x26x4
	0,8	IR 15x20x13	-	G 20x26x4	SD 20x26x4
	0,8	IR 17x20x16.5	LR 17x20x16.5	-	-
	0,8	IR 17x20x16.5	LR 17x20x16.5	G 20x26x4	SD 20x26x4
	0,8	IR 17x20x20.5	LR 17x20x20.5	-	-
	0,8	IR 17x20x20.5	LR 17x20x20.5	G 20x26x4	SD 20x26x4
	0,8	IR 17x20x30.5	LR 17x20x30.5	G 20x26x4	SD 20x26x4
22	0,8	-	-	G 22x28x4	SD 22x28x4
	0,8	IR 17x22x13	-	G 22x28x4	SD 22x28x4
	0,8	IR 17x22x23	-	-	-
	0,8	IR 17x22x23	-	G 22x28x4	SD 22x28x4
	0,8	IR 17x22x23	-	-	-
	0,8	IR 17x22x23	-	G 22x28x4	SD 22x28x4
25	0,8	-	LR 20x25x12.5	G 25x32x4	-
	0,8	IR 20x25x17	LR 20x25x16.5	-	-
	0,8	IR 20x25x17	LR 20x25x16.5	G 25x32x4	-
	0,8	IR 20x25x20.5	LR 20x25x20.5	-	-
	0,8	IR 20x25x20.5	LR 20x25x20.5	G 25x32x4	-
	0,8	IR 20x25x26.5	LR 20x25x26.5	G 25x32x4	-
	0,8	IR 20x25x30	-	-	-
	0,8	IR 20x25x38.5	LR 20x25x38.5	G 25x32x4	-
	0,8	IR 22x28x17	-	G 28x35x4	SD 28x35x4
28	0,8	IR 22x28x20.5	LR 22x28x20.5	-	-
	0,8	IR 22x28x20.5	LR 22x28x20.5	G 28x35x4	SD 28x35x4
	0,8	IR 22x28x20.5	LR 22x28x20.5	G 28x35x4	SD 28x35x4
30	0,8	-	LR 25x30x12.5	G 30x37x4	SD 30x37x4
	0,8	IR 25x30x17	LR 25x30x16.5	-	-
	0,8	IR 25x30x17	LR 25x30x16.5	G 30x37x4	SD 30x37x4
	0,8	IR 25x30x20.5	LR 25x30x20.5	G 30x37x4	SD 30x37x4
	0,8	IR 25x30x26.5	LR 25x30x26.5	G 30x37x4	SD 30x37x4
	0,8	IR 25x30x38.5	LR 25x30x38.5	G 30x37x4	SD 30x37x4
	0,8	IR 25x30x38.5	LR 25x30x38.5	G 30x37x4	SD 30x37x4

¹⁾ For additional information → Needle roller bearing inner rings, page 593
²⁾ For additional information → skf.com/seals

7.2 Drawn cup needle roller bearings

F_w 35 – 60 mm



HK

HK ...2RS

Principal dimensions	Basic load ratings		Fatigue load limit	Speed ratings		Mass	Designation		
	dynamic	static		Reference speed	Limiting speed				
F_w	D	C	C	C_0	P_u	r/min	g		
mm			kN	kN					
35	42	12	12,5	21,6	2,45	7 000	8 000	27	▶ HK 3512
	42	16	17,9	34	4	7 000	8 000	36	▶ HK 3516
	42	20	17,9	34	4	–	5 000	41	HK 3520.2RS
	42	20	22,9	46,5	5,6	7 000	8 000	44	▶ HK 3520
40	47	12	13,4	24,5	2,8	6 300	7 000	30	▶ HK 4012
	47	16	14,5	27,5	3,15	–	4 500	37	▶ HK 4016.2RS
	47	16	19	39	4,55	6 300	7 000	39	▶ HK 4016
	47	20	19	39	4,55	–	4 500	48	HK 4020.2RS
	47	20	24,2	53	6,4	6 300	7 000	54	▶ HK 4020
45	52	12	14,2	27,5	3,2	5 600	6 300	33	HK 4512
	52	16	20,5	43	5,1	5 600	6 300	47	▶ HK 4516
	52	20	20,5	43	5,1	–	4 000	54	HK 4520.2RS
	52	20	26	60	7,2	5 600	6 300	56	▶ HK 4520
50	58	20	29,2	63	7,8	5 000	5 600	70	▶ HK 5020
	58	24	29,2	63	7,8	–	3 600	81	HK 5024.2RS
	58	25	36,9	85	10,6	5 000	5 600	85	▶ HK 5025
55	63	20	30,3	67	8,3	4 500	5 000	74	▶ HK 5520
	63	28	41,8	104	12,9	4 500	5 000	105	HK 5528
60	68	12	17,6	32	3,8	4 300	4 800	49	HK 6012
	68	20	31,9	75	9,3	4 300	4 800	81	HK 6020
	68	32	51,2	137	17	4 300	4 800	136	HK 6032

7.2



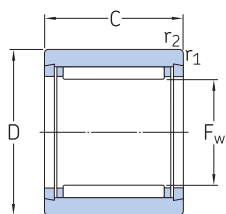
Dimensions		Associated inner rings ¹⁾		Associated radial shaft seals ²⁾	
F_w	r min.	IR series	LR series	Single lip	Double lip
mm		–		–	
35	0,8	–	LR 30x35x12.5	G 35x42x4	SD 35x42x4
	0,8	IR 30x35x17	LR 30x35x16.5	G 35x42x4	SD 35x42x4
	0,8	IR 30x35x20.5	LR 30x35x20.5	–	–
	0,8	IR 30x35x20.5	LR 30x35x20.5	G 35x42x4	SD 35x42x4
40	0,8	–	LR 35x40x12.5	G 40x47x4	SD 40x47x4
	0,8	IR 35x40x20	LR 35x40x16.5	–	–
	0,8	IR 35x40x20	LR 35x40x16.5	G 40x47x4	SD 40x47x4
	0,8	IR 35x40x20.5	LR 35x40x20.5	–	–
	0,8	IR 35x40x20.5	LR 35x40x20.5	G 40x47x4	SD 40x47x4
45	0,8	–	–	G 45x52x4	SD 45x52x4
	0,8	IR 40x45x17	LR 40x45x16.5	G 45x52x4	SD 45x52x4
	0,8	IR 40x45x20.5	LR 40x45x20.5	–	–
	0,8	IR 40x45x20.5	–	G 45x52x4	SD 45x52x4
50	0,8	–	LR 45x50x20.5	G 50x58x4	SD 50x58x4
	0,8	IR 45x50x25.5	LR 45x50x25.5	–	–
	0,8	IR 45x50x25.5	LR 45x50x25.5	G 50x58x4	SD 50x58x4
55	0,8	–	LR 50x55x20.5	G 55x63x5	–
	0,8	–	–	G 55x63x5	–
60	0,8	–	–	–	–
	0,8	–	–	–	–
	0,8	–	–	–	–

¹⁾ For additional information → Needle roller bearing inner rings, page 593

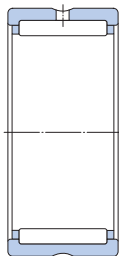
²⁾ For additional information → skf.com/seals

7.3 Needle roller bearings with machined rings with flanges, without an inner ring

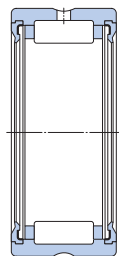
F_w 5 – 19 mm



NK ($F_w \leq 10$ mm)



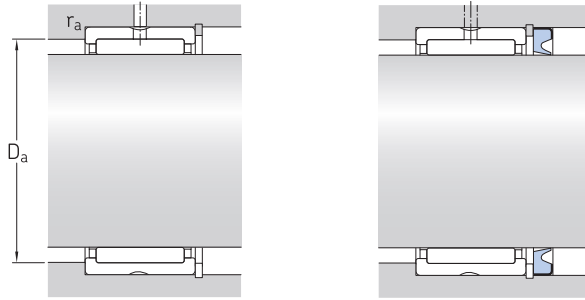
NK ($F_w \geq 12$ mm)
RNA 49
RNA 69



RNA 49 ...2RS

Principal dimensions			Basic load ratings		Fatigue load limit	Speed ratings		Mass	Designation	
F_w	D	C	dynamic	static		Reference speed	Limiting speed			
mm			C	C_0	P_u	r/min		kg	–	
5	10	10	2,29	2	0,212	36 000	40 000	0,0031	▶ NK 5/10 TN	
	10	12	2,92	2,7	0,29	36 000	40 000	0,0037		▶ NK 5/12 TN
6	12	10	2,55	2,36	0,25	34 000	38 000	0,0047	▶ NK 6/10 TN	
	12	12	3,3	3,2	0,345	34 000	38 000	0,0057		▶ NK 6/12 TN
7	14	10	2,81	2,75	0,29	32 000	36 000	0,0069	NK 7/10 TN	
	14	12	3,58	3,75	0,415	32 000	36 000	0,0082		NK 7/12 TN
8	15	12	3,8	4,25	0,465	32 000	36 000	0,0087	▶ NK 8/12 TN	
	15	16	5,01	5,85	0,67	32 000	36 000	0,012		▶ NK 8/16 TN
9	16	12	4,4	5,2	0,57	30 000	34 000	0,01	▶ NK 9/12 TN	
	16	16	5,72	7,2	0,815	30 000	34 000	0,013		NK 9/16 TN
10	17	12	4,57	5,7	0,63	28 000	32 000	0,01	▶ NK 10/12 TN	
	17	16	5,94	8	0,9	28 000	32 000	0,013		▶ NK 10/16 TN
12	19	12	6,71	8,15	0,965	26 000	30 000	0,012	▶ NK 12/12	
	19	16	9,13	12	1,43	26 000	30 000	0,016		▶ NK 12/16
14	22	13	7,37	8,15	0,965	–	12 000	0,016	▶ RNA 4900.2RS	
	22	13	8,8	10,4	1,22	24 000	28 000	0,017		▶ RNA 4900
	22	16	10,2	12,5	1,5	24 000	28 000	0,021		▶ NK 14/16
	22	20	12,8	16,6	2	24 000	28 000	0,026		▶ NK 14/20
15	23	16	11	14	1,66	24 000	26 000	0,022	▶ NK 15/16	
	23	20	13,8	18,3	2,2	24 000	26 000	0,027		▶ NK 15/20
16	24	13	8,09	9,65	1,14	–	11 000	0,018	▶ RNA 4901.2RS	
	24	13	9,9	12,2	1,46	22 000	26 000	0,017		▶ RNA 4901
	24	16	11,7	15,3	1,8	22 000	26 000	0,022		▶ NK 16/16
	24	20	14,5	20	2,4	22 000	26 000	0,028		▶ NK 16/20
17	24	22	16,1	23,2	2,75	22 000	26 000	0,031	▶ RNA 6901	
	25	16	12,1	16,6	1,96	22 000	26 000	0,024	▶ NK 17/16	
18	25	20	15,1	22	2,65	22 000	26 000	0,03	▶ NK 17/20	
	26	16	12,8	17,6	2,12	22 000	24 000	0,025	▶ NK 18/16	
19	26	20	16,1	23,6	2,85	22 000	24 000	0,031	▶ NK 18/20	
	27	16	13,4	19	2,28	20 000	24 000	0,026	▶ NK 19/16	
19	27	20	16,5	25,5	3,05	20 000	24 000	0,032	NK 19/20	

▶ Popular item

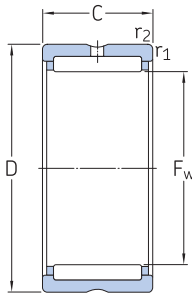


Dimensions		Abutment and fillet dimensions		Associated radial shaft seals ¹⁾		Spring loaded lip
F_w	$r_{1,2}$ min.	D_a max.	r_a max.	Single lip	Double lip	
mm		mm		-		
5	0,15	8,8	0,1	G 5x10x2 S	-	-
	0,15	8,8	0,1	G 5x10x2 S	-	-
6	0,15	10,8	0,1	G 6x12x2 S	-	-
	0,15	10,8	0,1	G 6x12x2 S	-	-
7	0,3	12	0,3	G 7x14x2	-	-
	0,3	12	0,3	G 7x14x2	-	-
8	0,3	13	0,3	G 8x15x3	SD 8x15x3	-
	0,3	13	0,3	G 8x15x3	SD 8x15x3	-
9	0,3	14	0,3	G 9x16x3	-	-
	0,3	14	0,3	G 9x16x3	-	-
10	0,3	15	0,3	G 10x17x3	SD 10x17x3	-
	0,3	15	0,3	G 10x17x3	SD 10x17x3	-
12	0,3	17	0,3	G 12x19x3	SD 12x19x3	-
	0,3	17	0,3	G 12x19x3	SD 12x19x3	-
14	0,3	20	0,3	-	-	-
	0,3	20	0,3	G 14x22x3	SD 14x22x3	-
	0,3	20	0,3	G 14x22x3	SD 14x22x3	-
	0,3	20	0,3	G 14x22x3	SD 14x22x3	-
15	0,3	21	0,3	G 15x23x3	SD 15x23x3	-
	0,3	21	0,3	G 15x23x3	SD 15x23x3	-
16	0,3	22	0,3	-	-	-
	0,3	22	0,3	G 16x24x3	SD 16x24x3	-
	0,3	22	0,3	G 16x24x3	SD 16x24x3	-
	0,3	22	0,3	G 16x24x3	SD 16x24x3	-
17	0,3	23	0,3	G 17x25x3	SD 17x25x3	-
	0,3	23	0,3	G 17x25x3	SD 17x25x3	-
18	0,3	24	0,3	G 18x26x4	SD 18x26x4	-
	0,3	24	0,3	G 18x26x4	SD 18x26x4	-
19	0,3	25	0,3	G 19x27x4	SD 19x27x4	-
	0,3	25	0,3	G 19x27x4	SD 19x27x4	-

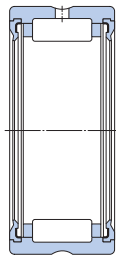
¹⁾ For additional information → skf.com/seals

7.3 Needle roller bearings with machined rings with flanges, without an inner ring

F_w 20 – 29 mm



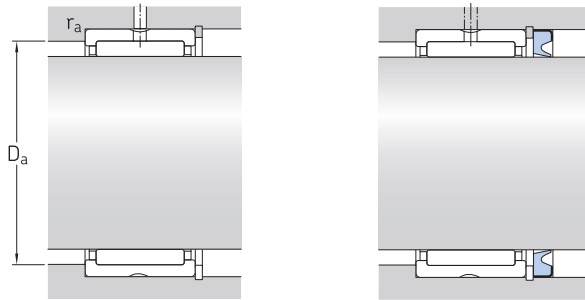
NK(S)
RNA 49
RNA 69



RNA 49 ...2RS

Principal dimensions			Basic load ratings		Fatigue load limit	Speed ratings		Mass	Designation
F_w	D	C	dynamic	static		Reference speed	Limiting speed		
mm			C	C_0	P_u	r/min		kg	–
20	28	13	9,13	12	1,43	–	9 500	0,022	▶ RNA 4902.2RS ▶ RNA 4902 ▶ NK 20/16
	28	13	11,2	15,3	1,83	19 000	22 000	0,022	
	28	16	13,2	19,3	2,28	19 000	22 000	0,027	
	28	20	16,5	25,5	3,05	19 000	22 000	0,034	▶ NK 20/20 ▶ RNA 6902 ▶ NKS 20
	28	23	17,2	27	3,35	19 000	22 000	0,04	
	32	20	23,3	27	3,25	18 000	20 000	0,049	
21	29	16	13,8	20,4	2,45	19 000	22 000	0,028	NK 21/16 NK 21/20
	29	20	17,2	27	3,35	19 000	22 000	0,035	
22	30	13	9,52	12,9	1,53	–	9 000	0,023	RNA 4903.2RS ▶ RNA 4903 ▶ NK 22/16
	30	13	11,4	16,3	1,96	18 000	20 000	0,022	
	30	16	14,2	21,6	2,6	18 000	20 000	0,03	
	30	20	17,9	29	3,55	18 000	20 000	0,037	▶ NK 22/20 ▶ RNA 6903
	30	23	18,7	30,5	3,75	18 000	20 000	0,042	
24	32	16	15,4	24,5	2,9	16 000	19 000	0,032	▶ NK 24/16 ▶ NK 24/20 NKS 24
	32	20	19	32,5	4	16 000	19 000	0,04	
	37	20	26	33,5	4	15 000	17 000	0,066	
25	33	16	15,1	24,5	2,9	16 000	18 000	0,033	▶ NK 25/16 ▶ NK 25/20 ▶ RNA 4904.2RS
	33	20	19	32,5	4	16 000	18 000	0,042	
	37	17	19,4	22,4	2,65	–	7 500	0,056	
	37	17	21,6	28	3,35	15 000	17 000	0,052	▶ RNA 4904 ▶ RNA 6904 ▶ NKS 25
	37	30	35,2	53	6,55	15 000	17 000	0,1	
	38	20	27,5	36	4,4	15 000	17 000	0,068	
26	34	16	15,7	26	3,1	15 000	17 000	0,034	▶ NK 26/16 ▶ NK 26/20
	34	20	19,4	34,5	4,25	15 000	17 000	0,042	
28	37	20	22	36,5	4,55	14 000	16 000	0,052	▶ NK 28/20 ▶ NK 28/30 RNA 49/22
	37	30	31,9	60	7,5	14 000	16 000	0,082	
	39	17	23,3	32	3,9	14 000	15 000	0,05	
	39	30	36,9	57	7,2	14 000	15 000	0,098	RNA 69/22 NKS 28
	42	20	28,6	39	4,75	13 000	15 000	0,084	
29	38	20	24,6	42,5	5,2	14 000	15 000	0,05	NK 29/20 TN NK 29/30
	38	30	31,9	60	7,5	14 000	15 000	0,084	

▶ Popular item

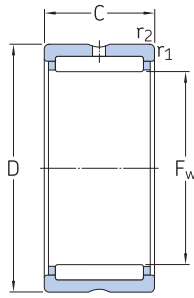


Dimensions		Abutment and fillet dimensions		Associated radial shaft seals ¹⁾		Spring loaded lip
F_w	$r_{1,2}$ min.	D_a max.	r_a max.	Single lip	Double lip	
mm		mm		-		
20	0,3	26	0,3	-	-	-
	0,3	26	0,3	G 20x28x4	SD 20x28x4	-
	0,3	26	0,3	G 20x28x4	SD 20x28x4	-
	0,3	26	0,3	G 20x28x4	SD 20x28x4	-
	0,6	28	0,6	-	-	20x32x7 HMS5 RG
21	0,3	27	0,3	G 21x29x4	-	-
	0,3	27	0,3	G 21x29x4	-	-
22	0,3	28	0,3	-	-	-
	0,3	28	0,3	G 22x30x4	SD 22x30x4	-
	0,3	28	0,3	G 22x30x4	SD 22x30x4	-
	0,3	28	0,3	G 22x30x4	SD 22x30x4	-
	0,3	28	0,3	G 22x30x4	SD 22x30x4	-
24	0,3	30	0,3	G 24x32x4	SD 24x32x4	-
	0,3	30	0,3	G 24x32x4	SD 24x32x4	-
	0,6	33	0,6	-	-	24x37x7 HMS5 RG
25	0,3	31	0,3	G 25x33x4	SD 25x33x4	-
	0,3	31	0,3	G 25x33x4	SD 25x33x4	-
	0,3	35	0,3	-	-	-
	0,3	35	0,3	-	-	25x37x5 HMS5 RG
	0,6	34	0,6	-	-	25x37x5 HMS5 RG 25x38x7 HMS5 RG
26	0,3	32	0,3	G 26x34x4	SD 26x34x4	-
	0,3	32	0,3	G 26x34x4	SD 26x34x4	-
28	0,3	35	0,3	G 28x37x4	-	-
	0,3	35	0,3	G 28x37x4	-	-
	0,3	37	0,3	-	-	-
	0,3	37	0,3	-	-	-
	0,6	38	0,6	-	-	28x42x7 HMS5 RG
29	0,3	36	0,3	G 29x38x4	-	-
	0,3	36	0,3	G 29x38x4	-	-

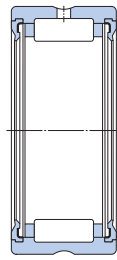
¹⁾ For additional information → skf.com/seals

7.3 Needle roller bearings with machined rings with flanges, without an inner ring

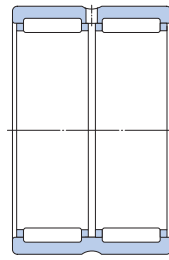
F_w 30 – 43 mm



NK(S)
RNA 49
RNA 69 ($F_w \leq 38$ mm)



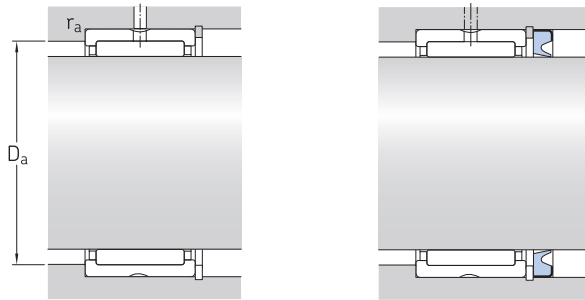
RNA 49...2RS



RNA 69 ($F_w \geq 40$ mm)

Principal dimensions			Basic load ratings		Fatigue load limit	Speed ratings		Mass	Designation
F_w	D	C	dynamic	static		Reference speed	Limiting speed		
			C	C_0	P_u				
mm			kN	kN	kN	r/min		kg	–
30	40	20	25,1	44	5,5	13 000	15 000	0,061	▶ NK 30/20 TN ▶ NK 30/30 TN ▶ RNA 4905.2RS
	40	30	36,9	72	9	13 000	15 000	0,092	
	42	17	21,6	27,5	3,25	–	6 300	0,06	
	42	17	24,2	34,5	4,15	13 000	15 000	0,061	▶ RNA 4905 ▶ RNA 6905 ▶ NKS 30
	42	30	38	62	7,65	13 000	15 000	0,11	
	45	22	31,9	43	5,3	12 000	14 000	0,1	
32	42	20	26,4	48	6	12 000	14 000	0,064	▶ NK 32/20 TN NK 32/30 RNA 49/28
	42	30	34,1	65,5	8,3	12 000	14 000	0,1	
	45	17	25,1	36,5	4,4	12 000	14 000	0,073	
	45	30	39,6	65,5	8,3	12 000	14 000	0,14	▶ RNA 69/28 NKS 32
	47	22	34,1	46,5	5,7	12 000	13 000	0,11	
35	45	20	27,5	52	6,55	11 000	13 000	0,069	▶ NK 35/20 TN ▶ NK 35/30 TN ▶ RNA 4906.2RS
	45	30	40,2	85	10,6	11 000	13 000	0,11	
	47	17	23,3	32	3,8	–	5 600	0,069	
	47	17	25,5	39	4,65	11 000	13 000	0,069	▶ RNA 4906 ▶ RNA 6906 ▶ NKS 35
	47	30	42,9	75	9,3	11 000	13 000	0,13	
	50	22	35,2	50	6,2	11 000	12 000	0,12	
37	47	20	25,1	46,5	5,85	11 000	12 000	0,077	NK 37/20 NK 37/30 NKS 37
	47	30	36,9	76,5	9,5	11 000	12 000	0,11	
	52	22	36,9	54	6,55	10 000	12 000	0,12	
38	48	20	25,5	49	6,1	11 000	12 000	0,079	▶ NK 38/20 NK 38/30
	48	30	37,4	80	10	11 000	12 000	0,12	
40	50	20	29,7	60	7,5	10 000	11 000	0,078	▶ NK 40/20 TN ▶ NK 40/30 ▶ RNA 49/32
	50	30	38	83	10,4	10 000	11 000	0,13	
	52	20	30,8	51	6,3	10 000	11 000	0,089	
	52	36	47,3	90	10,8	10 000	11 000	0,16	▶ RNA 69/32 ▶ NKS 40
	55	22	38	57	7,1	9 500	11 000	0,13	
42	52	20	27	53	6,55	9 500	11 000	0,086	▶ NK 42/20 NK 42/30 RNA 4907.2RS
	52	30	39,1	86,5	10,8	9 500	11 000	0,13	
	55	20	27	43	5,3	–	4 800	0,11	
	55	20	31,9	54	6,7	9 500	11 000	0,11	RNA 4907 RNA 6907
	55	36	48,4	93	11,4	9 500	11 000	0,19	
43	53	20	27,5	55	6,8	9 500	11 000	0,086	NK 43/20 NK 43/30 NKS 43
	53	30	40,2	90	11,2	9 500	11 000	0,13	
	58	22	39,1	61	7,5	9 000	10 000	0,14	

▶ Popular item

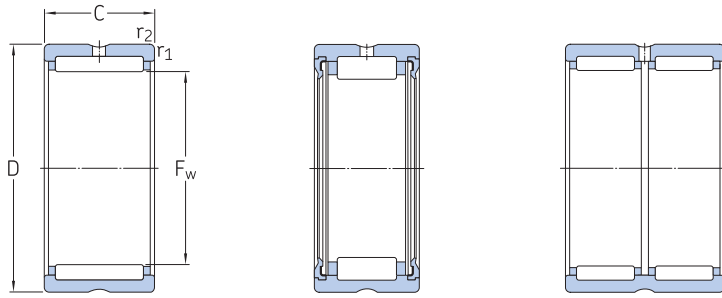


Dimensions		Abutment and fillet dimensions		Associated radial shaft seals ¹⁾		
F_w	$r_{1,2}$ min.	D_a max.	r_a max.	Single lip	Double lip	Spring loaded lip
mm		mm		-		
30	0,3	38	0,3	G 30x40x4	SD 30x40x4	-
	0,3	38	0,3	G 30x40x4	SD 30x40x4	-
	0,3	40	0,3	-	-	-
	0,3	40	0,3	-	-	30x42x6 HMS5 RG
	0,3	40	0,3	-	-	30x42x6 HMS5 RG
	0,6	41	0,6	-	-	30x45x7 HMS5 RG
32	0,3	40	0,3	G 32x42x4	SD 32x42x4	-
	0,3	40	0,3	G 32x42x4	SD 32x42x4	-
	0,3	43	0,3	G 32x45x4	-	-
	0,3	43	0,3	G 32x45x4	-	-
	0,6	43	0,6	-	-	32x47x6 HMS5 RG
35	0,3	43	0,3	G 35x45x4	SD 35x45x4	-
	0,3	43	0,3	G 35x45x4	SD 35x45x4	-
	0,3	45	0,3	-	-	-
	0,3	45	0,3	-	-	35x47x6 HMS5 RG
	0,3	45	0,3	-	-	35x47x6 HMS5 RG
	0,6	46	0,6	-	-	35x50x7 HMS5 RG
37	0,3	45	0,3	G 37x47x4	SD 37x47x4	-
	0,3	45	0,3	G 37x47x4	SD 37x47x4	-
	0,6	48	0,6	-	-	37x52x8 HMS4 R
38	0,3	46	0,3	G 38x48x4	SD 38x48x4	-
	0,3	46	0,3	G 38x48x4	SD 38x48x4	-
40	0,3	48	0,3	G 40x50x4	SD 40x50x4	-
	0,3	48	0,3	G 40x50x4	SD 40x50x4	-
	0,6	48	0,6	G 40x52x5	SD 40x52x5	-
	0,6	48	0,6	G 40x52x5	SD 40x52x5	-
	0,6	51	0,6	-	-	40x55x7 HMS5 RG
42	0,3	50	0,3	G 42x52x4	SD 42x52x4	-
	0,3	50	0,3	G 42x52x4	SD 42x52x4	-
	0,6	51	0,6	-	-	-
	0,6	51	0,6	-	-	42x55x7 HMS5 RG
	0,6	51	0,6	-	-	42x55x7 HMS5 RG
43	0,3	51	0,3	G 43x53x4	-	-
	0,3	51	0,3	G 43x53x4	-	-
	0,6	53	0,6	-	-	-

¹⁾ For additional information → skf.com/seals

7.3 Needle roller bearings with machined rings with flanges, without an inner ring

F_w 45 – 70 mm



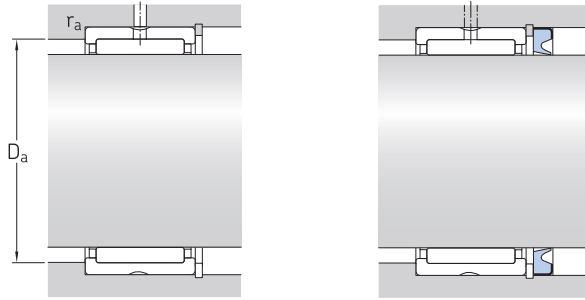
NK(S)
RNA 49

RNA 49 ...2RS

RNA 69

Principal dimensions			Basic load ratings		Fatigue load limit	Speed ratings		Mass	Designation
F_w	D	C	C	C_0	P_u	Reference speed	Limiting speed		
mm			kN		kN	r/min		kg	–
45	55	20	31,4	65,5	8,3	9 000	10 000	0,085	▶ NK 45/20 TN ▶ NK 45/30 TN ▶ NKS 45
	55	30	45,7	108	13,7	9 000	10 000	0,13	
	60	22	40,2	64	8	8 500	10 000	0,15	
47	57	20	29,2	61	7,65	8 500	10 000	0,095	▶ NK 47/20 ▶ NK 47/30
	57	30	41,8	98	12,5	8 500	10 000	0,14	
48	62	22	36,9	58,5	7,1	–	4 000	0,15	▶ RNA 4908.2RS ▶ RNA 4908 ▶ RNA 6908
	62	22	42,9	71	8,8	8 000	9 500	0,14	
	62	40	67,1	125	15,3	8 000	9 500	0,26	
50	62	25	42,9	91,5	11,2	8 000	9 000	0,15	▶ NK 50/25 TN ▶ NK 50/35 TN ▶ NKS 50
	62	35	58,3	137	17	8 000	9 000	0,21	
	65	22	42,9	72	8,8	8 000	9 000	0,16	
52	68	22	39,1	64	7,8	–	3 800	0,16	▶ RNA 4909.2RS ▶ RNA 4909 ▶ RNA 6909
	68	22	45,7	78	9,65	7 500	8 500	0,18	
	68	40	70,4	137	17	7 500	8 500	0,34	
55	68	25	40,2	88	10,8	7 500	8 500	0,18	▶ NK 55/25 ▶ NK 55/35 ▶ NKS 55
	68	35	52,3	122	15,3	7 500	8 500	0,25	
	72	22	44,6	78	9,8	7 000	8 000	0,22	
58	72	22	40,2	69,5	8,5	–	3 400	0,16	▶ RNA 4910.2RS ▶ RNA 4910 ▶ RNA 6910
	72	22	47,3	85	10,6	7 000	8 000	0,16	
	72	40	73,7	150	18,6	7 000	8 000	0,31	
60	72	25	46,8	110	13,4	6 700	7 500	0,17	▶ NK 60/25 TN ▶ NK 60/35 ▶ NKS 60
	72	35	55	134	17	6 700	7 500	0,26	
	80	28	62,7	104	13,2	6 300	7 500	0,34	
63	80	25	57,2	106	13,2	6 300	7 000	0,26	▶ RNA 4911 ▶ RNA 6911
	80	45	89,7	190	23,2	6 300	7 000	0,47	
65	78	25	44	104	12,7	6 300	7 000	0,22	▶ NK 65/25 ▶ NK 65/35 ▶ NKS 65
	78	35	58,3	146	18,3	6 300	7 000	0,31	
	85	28	66	114	14,6	6 000	6 700	0,36	
68	82	25	44	95	11,8	6 000	6 700	0,24	▶ NK 68/25 ▶ NK 68/35 ▶ RNA 4912
	82	35	60,5	146	18,3	6 000	6 700	0,34	
	85	25	60,5	114	14,3	6 000	6 700	0,28	
	85	45	93,5	204	25	6 000	6 700	0,49	
70	85	25	44,6	98	12,2	6 000	6 700	0,26	▶ NK 70/25 ▶ NK 70/35 ▶ NKS 70
	85	35	61,6	150	19	6 000	6 700	0,37	
	90	28	68,2	120	15,3	5 600	6 300	0,38	

▶ Popular item

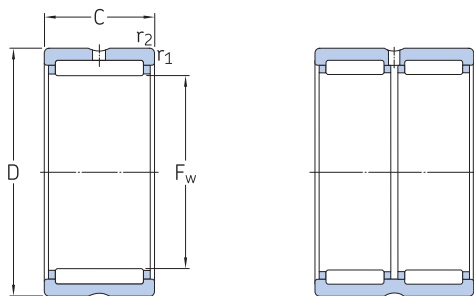


Dimensions		Abutment and fillet dimensions		Associated radial shaft seals ¹⁾		
F_w	$r_{1,2}$ min.	D_a max.	r_a max.	Single lip	Double lip	Spring loaded lip
mm		mm		-		
45	0,3	53	0,3	G 45x55x4	SD 45x55x4	-
	0,3	53	0,3	G 45x55x4	SD 45x55x4	-
	0,6	56	0,6	-	-	45x60x7 HMS5 RG
47	0,3	55	0,3	-	-	-
	0,3	55	0,3	-	-	-
48	0,6	58	0,6	-	-	-
	0,6	58	0,6	-	-	48x62x8 HMS5 RG
	0,6	58	0,6	-	-	48x62x8 HMS5 RG
50	0,6	58	0,6	G 50x62x5	SD 50x62x5	-
	0,6	58	0,6	G 50x62x5	SD 50x62x5	-
	1	60	1	-	-	50x65x8 HMS5 RG
52	0,6	64	0,6	-	-	-
	0,6	64	0,6	-	-	52x68x8 HMS5 RG
	0,6	64	0,6	-	-	52x68x8 HMS5 RG
55	0,6	64	0,6	-	-	55x68x8 HMS5 RG
	0,6	64	0,6	-	-	55x68x8 HMS5 RG
	1	67	1	-	-	55x72x8 HMS5 RG
58	0,6	68	0,6	-	-	-
	0,6	68	0,6	-	-	58x72x8 HMS5 RG
	0,6	68	0,6	-	-	58x72x8 HMS5 RG
60	0,6	68	0,6	-	-	60x72x8 HMS5 RG
	0,6	68	0,6	-	-	60x72x8 HMS5 RG
	1,1	73,5	1	-	-	60x80x8 HMS5 RG
63	1	75	1	-	-	63x80x8 CRW1 R
	1	75	1	-	-	63x80x8 CRW1 R
65	0,6	74	0,6	-	-	-
	0,6	74	0,6	-	-	-
	1,1	78,5	1	-	-	65x85x8 HMS5 RG
68	0,6	78	0,6	-	-	-
	0,6	78	0,6	-	-	-
	1	80	1	-	-	-
70	1	80	1	-	-	68x85x8 CRW1 R
	0,6	81	0,6	-	-	70x85x8 HMS5 RG
	0,6	81	0,6	-	-	70x85x8 HMS5 RG
	1,1	83,5	1	-	-	70x90x10 HMS5 RG

¹⁾ For additional information → skf.com/seals

7.3 Needle roller bearings with machined rings with flanges, without an inner ring

F_w 72 – 105 mm

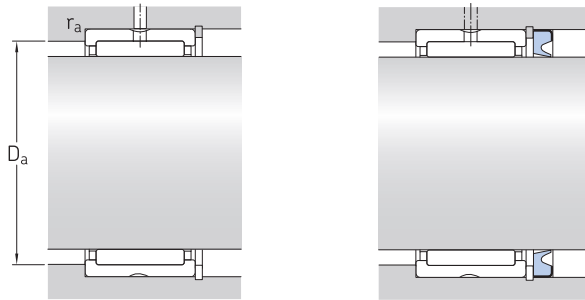


NK(S)
RNA 49

RNA 69

Principal dimensions			Basic load ratings		Fatigue load limit	Speed ratings		Mass	Designation
F_w	D	C	C	C_0	P_u	Reference speed	Limiting speed		
mm			kN		kN	r/min		kg	–
72	90	25	61,6	120	14,6	5 600	6 300	0,31	RNA 4913
	90	45	95,2	212	26	5 600	6 300	0,58	▶ RNA 6913
73	90	25	52,8	106	13,2	5 600	6 300	0,3	NK 73/25
	90	35	73,7	163	20,4	5 600	6 300	0,43	NK 73/35
75	92	25	53,9	110	13,7	5 300	6 000	0,32	NK 75/25
	92	35	74,8	170	21,2	5 300	6 000	0,45	▶ NK 75/35
	95	28	70,4	132	16,6	5 300	6 000	0,4	NKS 75
80	95	25	56,1	127	15,6	5 000	5 600	0,3	▶ NK 80/25
	95	35	76,5	190	24	5 000	5 600	0,43	▶ NK 80/35
	100	30	84,2	163	20,8	5 000	5 600	0,46	▶ RNA 4914
	100	54	128	285	36	5 000	5 600	0,86	▶ RNA 6914
85	105	25	69,3	132	16,6	4 800	5 300	0,43	▶ NK 85/25
	105	30	84,2	170	21,6	4 800	5 300	0,49	RNA 4915
	105	35	96,8	200	26	4 800	5 300	0,6	▶ NK 85/35
	105	54	130	290	37,5	4 800	5 300	0,94	RNA 6915
90	110	25	72,1	140	18	4 500	5 000	0,45	▶ NK 90/25
	110	30	88	183	23,2	4 500	5 000	0,52	▶ RNA 4916
	110	35	101	216	28	4 500	5 000	0,63	▶ NK 90/35
	110	54	134	315	40	4 500	5 000	0,99	▶ RNA 6916
95	115	26	73,7	146	18,6	4 300	4 800	0,49	NK 95/26
	115	36	105	232	30	4 300	4 800	0,68	NK 95/36
100	120	26	76,5	156	19,6	4 000	4 500	0,52	▶ NK 100/26
	120	35	108	250	31	4 000	4 500	0,66	RNA 4917
	120	36	108	250	31	4 000	4 500	0,72	▶ NK 100/36
	120	63	165	425	53	4 000	4 500	1,2	▶ RNA 6917
105	125	26	78,1	166	20,4	3 800	4 300	0,54	NK 105/26
	125	35	112	265	32,5	3 800	4 300	0,75	RNA 4918
	125	36	112	265	32,5	3 800	4 300	0,71	NK 105/36
	125	63	172	450	55	3 800	4 300	1,35	RNA 6918

▶ Popular item

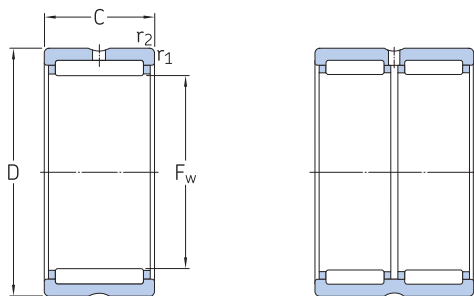


Dimensions		Abutment and fillet dimensions		Associated radial shaft seals ¹⁾		Spring loaded lip
F _w	r _{1,2} min.	D _a max.	r _a max.	Single lip	Double lip	
mm		mm		-		
72	1	85	1	-	-	72x90x10 HMS5 RG
	1	85	1	-	-	72x90x10 HMS5 RG
73	1	85	1	-	-	-
	1	85	1	-	-	-
75	1	87	1	-	-	73x92x11.1 CRWH1 R
	1	87	1	-	-	73x92x11.1 CRWH1 R
	1,1	88,5	1	-	-	75x95x10 HMS5 RG
80	1	90	1	-	-	80x95x10 HMS5 RG
	1	90	1	-	-	80x95x10 HMS5 RG
	1	95	1	-	-	80x100x10 HMS5 RG
	1	95	1	-	-	80x100x10 HMS5 RG
85	1	100	1	-	-	85x105x12 HMS5 RG
	1	100	1	-	-	85x105x12 HMS5 RG
	1	100	1	-	-	85x105x12 HMS5 RG
	1	100	1	-	-	85x105x12 HMS5 RG
90	1	105	1	-	-	90x110x10 HMS5 RG
	1	105	1	-	-	90x110x10 HMS5 RG
	1	105	1	-	-	90x110x10 HMS5 RG
	1	105	1	-	-	90x110x10 HMS5 RG
95	1	110	1	-	-	95x115x12 HMS5 RG
	1	110	1	-	-	95x115x12 HMS5 RG
100	1	115	1	-	-	100x120x10 HMS5 RG
	1,1	113,5	1	-	-	100x120x10 HMS5 RG
	1	115	1	-	-	100x120x10 HMS5 RG
	1,1	113,5	1	-	-	100x120x10 HMS5 RG
105	1	120	1	-	-	105x125x13 HMS4 R
	1,1	118,5	1	-	-	105x125x13 HMS4 R
	1	120	1	-	-	105x125x13 HMS4 R
	1,1	118,5	1	-	-	105x125x13 HMS4 R

¹⁾ For additional information → skf.com/seals

7.3 Needle roller bearings with machined rings with flanges, without an inner ring

F_w 110 – 330 mm

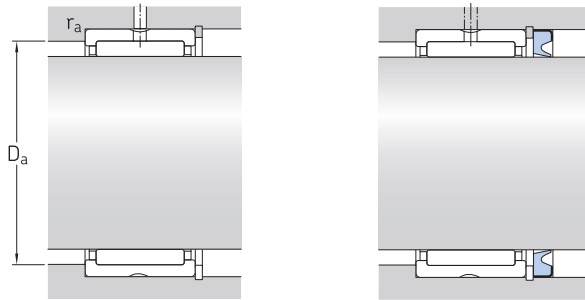


NK
RNA 48
RNA 49

RNA 69

Principal dimensions			Basic load ratings		Fatigue load limit	Speed ratings		Mass	Designation
F_w	D	C	C	C_0	P_u	Reference speed	Limiting speed		
mm			kN		kN	r/min		kg	–
110	130	30	96,8	220	27	3 600	4 000	0,65	▶ NK 110/30
	130	35	114	270	33,5	3 600	4 000	0,72	RNA 4919
	130	40	123	305	37,5	3 600	4 000	0,83	▶ NK 110/40
	130	63	172	465	56	3 600	4 000	1,45	▶ RNA 6919
115	140	40	125	280	34	3 400	4 000	1,15	RNA 4920
120	140	30	93,5	232	27	3 400	3 800	0,66	▶ RNA 4822
125	150	40	130	300	35,5	3 200	3 600	1,25	RNA 4922
130	150	30	99	255	29	3 200	3 600	0,73	▶ RNA 4824
135	165	45	176	405	49	3 000	3 400	1,85	▶ RNA 4924
145	165	35	119	325	36,5	2 800	3 200	0,99	RNA 4826
150	180	50	198	480	57	2 600	3 000	2,2	RNA 4926
155	175	35	121	345	37,5	2 600	3 000	0,97	▶ RNA 4828
160	190	50	205	510	60	2 400	2 800	2,35	RNA 4928
165	190	40	147	415	46,5	2 400	2 800	1,6	RNA 4830
175	200	40	157	450	49	2 200	2 600	1,7	▶ RNA 4832
185	215	45	179	520	56	2 200	2 400	2,55	RNA 4834
195	225	45	190	570	60	2 000	2 400	2,7	RNA 4836
210	240	50	220	710	73,5	1 900	2 200	3,2	▶ RNA 4838
220	250	50	224	735	75	1 800	2 000	3,35	RNA 4840
240	270	50	238	815	81,5	1 700	1 900	3,6	▶ RNA 4844
265	300	60	347	1 120	112	1 500	1 700	5,4	RNA 4848
285	320	60	358	1 200	118	1 400	1 500	5,8	RNA 4852
305	350	69	429	1 320	129	1 300	1 400	9,3	RNA 4856
330	380	80	594	1 800	173	1 100	1 300	12,5	RNA 4860

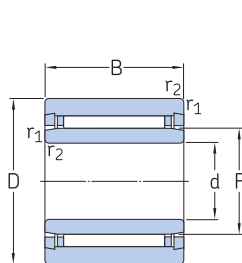
▶ Popular item



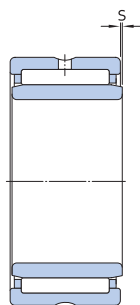
Dimensions		Abutment and fillet dimensions		Associated radial shaft seals ¹⁾		Spring loaded lip
F _w	r _{1,2} min.	D _a max.	r _a max.	Single lip	Double lip	
mm		mm		-		
110	1,1	123,5	1	-	-	110x130x12 HMS5 RG
	1,1	123,5	1	-	-	110x130x12 HMS5 RG
	1,1	123,5	1	-	-	110x130x12 HMS5 RG
	1,1	123,5	1	-	-	110x130x12 HMS5 RG
115	1,1	133,5	1	-	-	115x140x12 HMS5 RG
120	1	135	1	-	-	120x140x12 HMS5 RG
125	1,1	143,5	1	-	-	125x150x12 HMS5 RG
130	1	145	1	-	-	130x150x10 CRSA1 R
135	1,1	158,5	1	-	-	135x165x14 HMSA7 R
145	1,1	158,5	1	-	-	-
150	1,5	172	1,5	-	-	150x180x12 HMS5 RG
155	1,1	168,5	1	-	-	-
160	1,5	182	1,5	-	-	160x190x15 HMS5 RG
165	1,1	183,5	1	-	-	165x190x15 HMS5 RG
175	1,1	193,5	1	-	-	175x200x15 HMS5 RG
185	1,1	208,5	1	-	-	185x215x15 HMS42 R
195	1,1	218,5	1	-	-	-
210	1,5	232	1,5	-	-	210x240x15 HMS5 RG
220	1,5	242	1,5	-	-	220x250x15 HMS5 RG
240	1,5	262	1,5	-	-	240x270x15 HMS5 RG
265	2	291	2	-	-	Available on request
285	2	311	2	-	-	285x320x16 HDS2 R
305	2	341	2	-	-	Available on request
330	2,1	369	2	-	-	Available on request

¹⁾ For additional information → skf.com/seals

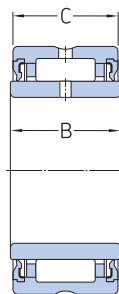
7.4 Needle roller bearings with machined rings with flanges, with an inner ring d 5 – 17 mm



NKI (d ≤ 7 mm)



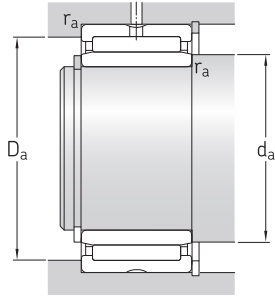
NKI(S) (d ≥ 9 mm)
NA 49
NA 69



NA 49...2RS

Principal dimensions				Basic load ratings		Fatigue load limit	Speed ratings		Mass	Designation
d	D	B	C	dynamic	static		Reference speed	Limiting speed		
				C	C ₀	P _u	r/min			
mm				kN		kN		kg	–	
5	15	12	–	3,8	4,25	0,465	32 000	36 000	0,012	▶ NKI 5/12 TN NKI 5/16 TN
	15	16	–	5,01	5,85	0,67	32 000	36 000	0,015	
6	16	12	–	4,4	5,2	0,57	30 000	34 000	0,014	▶ NKI 6/12 TN ▶ NKI 6/16 TN
	16	16	–	5,72	7,2	0,815	30 000	34 000	0,017	
7	17	12	–	4,57	5,7	0,63	28 000	32 000	0,014	NKI 7/12 TN NKI 7/16 TN
	17	16	–	5,94	8	0,9	28 000	32 000	0,018	
9	19	12	–	6,71	8,15	0,965	26 000	30 000	0,017	▶ NKI 9/12 ▶ NKI 9/16
	19	16	–	9,13	12	1,43	26 000	30 000	0,022	
10	22	13	–	8,8	10,4	1,22	24 000	28 000	0,024	▶ NA 4900 ▶ NA 4900.2RS ▶ NKI 10/16 ▶ NKI 10/20
	22	14	13	7,37	8,15	0,965	–	12 000	0,025	
	22	16	–	10,2	12,5	1,5	24 000	28 000	0,029	
	22	20	–	12,8	16,6	2	24 000	28 000	0,037	
12	24	13	–	9,9	12,2	1,46	22 000	26 000	0,026	▶ NA 4901 ▶ NA 4901.2RS ▶ NKI 12/16 ▶ NKI 12/20 ▶ NA 6901
	24	14	13	8,09	9,65	1,14	–	11 000	0,028	
	24	16	–	11,7	15,3	1,8	22 000	26 000	0,033	
	24	20	–	14,5	20	2,4	22 000	26 000	0,042	
15	27	16	–	13,4	19	2,28	20 000	24 000	0,039	▶ NKI 15/16 ▶ NKI 15/20 ▶ NA 4902 ▶ NA 4902.2RS ▶ NA 6902 NKIS 15
	27	20	–	16,5	25,5	3,05	20 000	24 000	0,049	
	28	13	–	11,2	15,3	1,83	19 000	22 000	0,034	
	28	14	13	9,13	12	1,43	–	9 500	0,037	
17	28	23	–	17,2	27	3,35	19 000	22 000	0,064	▶ NKI 17/16 ▶ NKI 17/20 ▶ NA 4903 ▶ NA 4903.2RS ▶ NA 6903 ▶ NKIS 17
	35	20	–	24,6	30	3,65	16 000	19 000	0,092	
	29	16	–	13,8	20,4	2,45	19 000	22 000	0,042	
	29	20	–	17,2	27	3,35	19 000	22 000	0,053	
	30	13	–	11,4	16,3	1,96	18 000	20 000	0,038	
	30	14	13	9,52	12,9	1,53	–	9 000	0,04	
	30	23	–	18,7	30,5	3,75	18 000	20 000	0,072	
37	20	–	26	33,5	4	15 000	17 000	0,098		

▶ Popular item

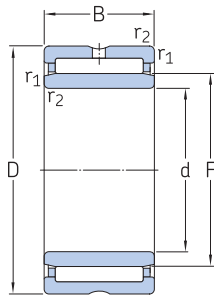


Dimensions

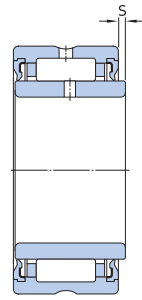
Abutment and fillet dimensions

d	F	r _{1,2} min.	s max.	d _a min.	D _a max.	r _a max.
mm				mm		
5	8	0,3	1,5	7	13	0,3
	8	0,3	2	7	13	0,3
6	9	0,3	1,5	8	14	0,3
	9	0,3	2	8	14	0,3
7	10	0,3	1,5	9	15	0,3
	10	0,3	2	9	15	0,3
9	12	0,3	1,5	11	17	0,3
	12	0,3	2	11	17	0,3
10	14	0,3	0,5	12	20	0,3
	14	0,3	0,5	12	20	0,3
	14	0,3	0,5	12	20	0,3
	14	0,3	0,5	12	20	0,3
12	16	0,3	0,5	14	22	0,3
	16	0,3	0,5	14	22	0,3
	16	0,3	0,5	14	22	0,3
	16	0,3	0,5	14	22	0,3
15	16	0,3	0,5	14	22	0,3
	16	0,3	1	14	22	0,3
	19	0,3	0,5	17	25	0,3
	19	0,3	0,5	17	25	0,3
17	20	0,3	0,5	17	26	0,3
	20	0,3	1	17	26	0,3
	22	0,6	0,5	19	31	0,6
	22	0,6	0,5	19	31	0,6
17	21	0,3	0,5	19	27	0,3
	21	0,3	0,5	19	27	0,3
	22	0,3	0,5	19	28	0,3
	22	0,3	0,5	19	28	0,3
17	22	0,3	0,5	19	28	0,3
	22	0,3	1	19	28	0,3
	24	0,6	0,5	21	33	0,6
	24	0,6	0,5	21	33	0,6

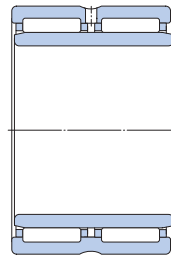
7.4 Needle roller bearings with machined rings with flanges, with an inner ring d 20 – 32 mm



NKI(S)
NA 49
NA 69 (d ≤ 30 mm)



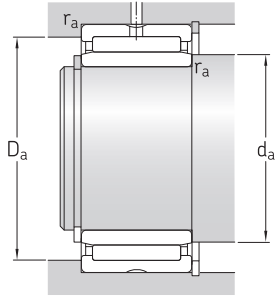
NA 49 ...2RS



NA 69 (d ≥ 32 mm)

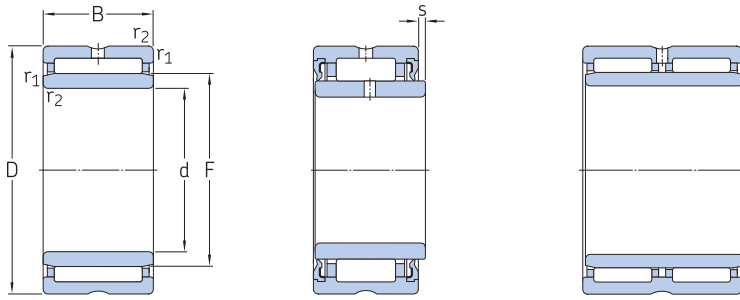
Principal dimensions				Basic load ratings		Fatigue load limit	Speed ratings		Mass	Designation	
d	D	B	C	dynamic	static		Reference speed	Limiting speed			
				C	C ₀	P _u					
mm				kN		kN	r/min		kg	–	
20	32	16	–	15,4	24,5	2,9	16 000	19 000	0,048	▶ NKI 20/16	
	32	20	–	19	32,5	4	16 000	19 000	0,06	▶ NKI 20/20	
	37	17	–	21,6	28	3,35	15 000	17 000	0,075	▶ NA 4904	
	37	18	17	19,4	22,4	2,65	–	7 500	0,08	▶ NA 4904.2RS	
	37	30	–	35,2	53	6,55	15 000	17 000	0,14	▶ NA 6904	
	42	20	–	28,6	39	4,75	13 000	15 000	0,13	▶ NKIS 20	
22	34	16	–	15,7	26	3,1	15 000	17 000	0,052	▶ NKI 22/16	
	34	20	–	19,4	34,5	4,25	15 000	17 000	0,065	▶ NKI 22/20	
	39	17	–	23,3	32	3,9	14 000	15 000	0,08	▶ NA 49/22	
	39	30	–	36,9	57	7,2	14 000	15 000	0,15	▶ NA 69/22	
25	38	20	–	24,6	42,5	5,2	14 000	15 000	0,08	▶ NKI 25/20 TN	
	38	30	–	31,9	60	7,5	14 000	15 000	0,12	▶ NKI 25/30	
	42	17	–	24,2	34,5	4,15	13 000	15 000	0,088	▶ NA 4905	
	42	18	17	21,6	27,5	3,25	–	6 300	0,09	▶ NA 4905.2RS	
	42	30	–	38	62	7,65	13 000	15 000	0,16	▶ NA 6905	
	47	22	–	34,1	46,5	5,7	12 000	13 000	0,16	▶ NKIS 25	
28	42	20	–	26,4	48	6	12 000	14 000	0,092	▶ NKI 28/20 TN	
	42	30	–	34,1	65,5	8,3	12 000	14 000	0,14	▶ NKI 28/30	
	45	17	–	25,1	36,5	4,4	12 000	14 000	0,098	▶ NA 49/28	
	45	30	–	39,6	65,5	8,3	12 000	14 000	0,18	▶ NA 69/28	
30	45	20	–	27,5	52	6,55	11 000	13 000	0,11	▶ NKI 30/20 TN	
	45	30	–	40,2	85	10,6	11 000	13 000	0,17	▶ NKI 30/30 TN	
	47	17	–	25,5	39	4,65	11 000	13 000	0,1	▶ NA 4906	
	47	18	17	23,3	32	3,8	–	5 600	0,1	▶ NA 4906.2RS	
	47	30	–	42,9	75	9,3	11 000	13 000	0,19	▶ NA 6906	
	52	22	–	36,9	54	6,55	10 000	12 000	0,18	▶ NKIS 30	
32	47	20	–	25,1	46,5	5,85	11 000	12 000	0,11	▶ NKI 32/20	
	47	30	–	36,9	76,5	9,5	11 000	12 000	0,17	▶ NKI 32/30	
	52	20	–	30,8	51	6,3	10 000	11 000	0,16	▶ NA 49/32	
	52	36	–	47,3	90	10,8	10 000	11 000	0,29	▶ NA 69/32	

▶ Popular item



Dimensions				Abutment and fillet dimensions		
d	F	r _{1,2} min.	s max.	d _a min.	D _a max.	r _a max.
mm				mm		
20	24	0,3	0,5	22	30	0,3
	24	0,3	0,5	22	30	0,3
	25	0,3	0,8	22	35	0,3
	25	0,3	0,5	22	35	0,3
	25	0,3	1	22	35	0,3
	28	0,6	0,5	24	38	0,6
22	26	0,3	0,5	24	32	0,3
	26	0,3	0,5	24	32	0,3
	28	0,3	0,8	24	37	0,3
	28	0,3	0,5	24	37	0,3
25	29	0,3	1	27	36	0,3
	29	0,3	1,5	27	36	0,3
	30	0,3	0,8	27	40	0,3
	30	0,3	0,5	27	40	0,3
	30	0,3	1	27	40	0,3
	32	0,6	1	29	43	0,6
28	32	0,3	1	30	40	0,3
	32	0,3	1,5	30	40	0,3
	32	0,3	0,8	30	43	0,3
	32	0,3	1	30	43	0,3
30	35	0,3	0,5	32	43	0,3
	35	0,3	1	32	43	0,3
	35	0,3	0,8	32	45	0,3
	35	0,3	0,5	32	45	0,3
	35	0,3	1	32	45	0,3
	37	0,6	1	34	48	0,6
32	37	0,3	0,5	34	45	0,3
	37	0,3	1	34	45	0,3
	40	0,6	0,8	36	48	0,6
	40	0,6	0,5	36	48	0,6

7.4 Needle roller bearings with machined rings with flanges, with an inner ring d 35 – 55 mm



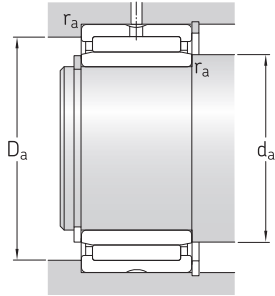
NKI(S)
NA 49

NA 49 ...2RS

NA 69

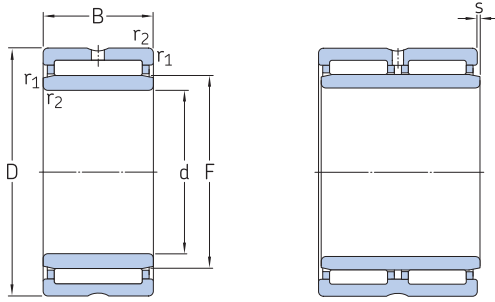
Principal dimensions				Basic load ratings		Fatigue load limit	Speed ratings		Mass	Designation
d	D	B	C	C	C ₀		Reference speed	Limiting speed		
mm				kN		kN	r/min		kg	–
35	50	20	–	29,7	60	7,5	10 000	11 000	0,12	▶ NKI 35/20 TN ▶ NKI 35/30 ▶ NA 4907
	50	30	–	38	83	10,4	10 000	11 000	0,19	
	55	20	–	31,9	54	6,7	9 500	11 000	0,17	
	55	21	20	27	43	5,3	–	4 800	0,18	▶ NA 4907.2RS ▶ NA 6907 NKIS 35
	55	36	–	48,4	93	11,4	9 500	11 000	0,31	
	58	22	–	39,1	61	7,5	9 000	10 000	0,22	
38	53	20	–	27,5	55	6,8	9 500	11 000	0,13	NKI 38/20 ▶ NKI 38/30
	53	30	–	40,2	90	11,2	9 500	11 000	0,21	
40	55	20	–	31,4	65,5	8,3	9 000	10 000	0,14	▶ NKI 40/20 TN ▶ NKI 40/30 TN ▶ NA 4908
	55	30	–	45,7	108	13,7	9 000	10 000	0,22	
	62	22	–	42,9	71	8,8	8 000	9 500	0,23	
	62	23	22	36,9	58,5	7,1	–	4 000	0,25	▶ NA 4908.2RS ▶ NA 6908 NKIS 40
	62	40	–	67,1	125	15,3	8 000	9 500	0,43	
	65	22	–	42,9	72	8,8	8 000	9 000	0,28	
42	57	20	–	29,2	61	7,65	8 500	10 000	0,14	NKI 42/20 NKI 42/30
	57	30	–	41,8	98	12,5	8 500	10 000	0,22	
45	62	25	–	42,9	91,5	11,2	8 000	9 000	0,22	▶ NKI 45/25 TN ▶ NKI 45/35 TN ▶ NA 4909
	62	35	–	58,3	137	17	8 000	9 000	0,31	
	68	22	–	45,7	78	9,65	7 500	8 500	0,27	
	68	23	22	39,1	64	7,8	–	3 800	0,29	▶ NA 4909.2RS ▶ NA 6909 ▶ NKIS 45
	68	40	–	70,4	137	17	7 500	8 500	0,5	
	72	22	–	44,6	78	9,8	7 000	8 000	0,34	
50	68	25	–	40,2	88	10,8	7 500	8 500	0,26	▶ NKI 50/25 ▶ NKI 50/35 ▶ NA 4910
	68	35	–	52,3	122	15,3	7 500	8 500	0,36	
	72	22	–	47,3	85	10,6	7 000	8 000	0,27	
	72	23	22	40,2	69,5	8,5	–	3 400	0,3	▶ NA 4910.2RS ▶ NA 6910 ▶ NKIS 50
	72	40	–	73,7	150	18,6	7 000	8 000	0,52	
	80	28	–	62,7	104	13,2	6 300	7 500	0,52	
55	72	25	–	46,8	110	13,4	6 700	7 500	0,26	▶ NKI 55/25 TN ▶ NKI 55/35 ▶ NA 4911
	72	35	–	55	134	17	6 700	7 500	0,36	
	80	25	–	57,2	106	13,2	6 300	7 000	0,39	
	80	45	–	89,7	190	23,2	6 300	7 000	0,78	▶ NA 6911 NKIS 55
	85	28	–	66	114	14,6	6 000	6 700	0,56	

▶ Popular item



Dimensions				Abutment and fillet dimensions		
d	F	r _{1,2} min.	s max.	d _a min.	D _a max.	r _a max.
mm				mm		
35	40	0,3	0,5	37	48	0,3
	40	0,3	1	37	48	0,3
	42	0,6	0,8	39	51	0,6
	42	0,6	0,5	39	51	0,6
	43	0,6	0,5	39	53	0,6
38	43	0,3	0,5	40	51	0,3
	43	0,3	1	40	51	0,3
40	45	0,3	0,5	42	53	0,3
	45	0,3	1	42	53	0,3
	48	0,6	1	44	58	0,6
	48	0,6	0,5	44	58	0,6
	48	0,6	0,5	44	58	0,6
42	47	0,3	0,5	44	55	0,3
	47	0,3	1	44	55	0,3
	50	1	0,5	45	60	1
45	50	0,6	1,5	49	58	0,6
	50	0,6	2	49	58	0,6
	52	0,6	1	49	64	0,6
	52	0,6	0,5	49	64	0,6
	52	0,6	0,5	49	64	0,6
50	55	0,6	1,5	54	64	0,6
	55	0,6	2	54	64	0,6
	58	0,6	1	54	68	0,6
	58	0,6	0,5	54	68	0,6
	58	0,6	0,5	54	68	0,6
55	60	1,1	2	56,5	73,5	1
	60	0,6	1,5	59	68	0,6
	60	0,6	2	59	68	0,6
	63	1	1,5	60	75	1
	63	1	1,5	60	75	1
65	63	1	1,5	60	75	1
	65	1,1	2	61,5	78,5	1

7.4 Needle roller bearings with machined rings with flanges, with an inner ring d 60 – 90 mm

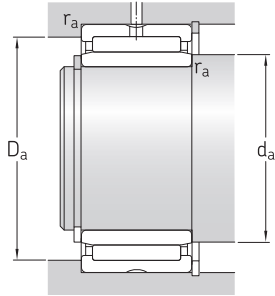


NKI(S)
NA 49

NA 69

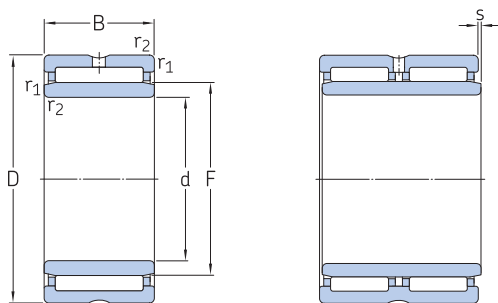
Principal dimensions				Basic load ratings		Fatigue load limit	Speed ratings		Mass	Designation	
d	D	B	C	dynamic	static		Reference speed	Limiting speed			
				C	C ₀	P _u					
mm				kN		kN	r/min		kg	–	
60	82	25	–	44	95	11,8	6 000	6 700	0,39	▶ NKI 60/25	
	82	35	–	60,5	146	18,3	6 000	6 700	0,55	▶ NKI 60/35	
	85	25	–	60,5	114	14,3	6 000	6 700	0,43	▶ NA 4912	
60	85	45	–	93,5	204	25	6 000	6 700	0,81	▶ NA 6912	
	90	28	–	68,2	120	15,3	5 600	6 300	0,56	▶ NKIS 60	
65	90	25	–	52,8	106	13,2	5 600	6 300	0,46	▶ NKI 65/25	
	90	25	–	61,6	120	14,6	5 600	6 300	0,46	▶ NA 4913	
	90	35	–	73,7	163	20,4	5 600	6 300	0,66	▶ NKI 65/35	
65	90	45	–	95,2	212	26	5 600	6 300	0,83	▶ NA 6913	
	95	28	–	70,4	132	16,6	5 300	6 000	0,64	▶ NKIS 65	
70	95	25	–	56,1	127	15,6	5 000	5 600	0,51	▶ NKI 70/25	
	95	35	–	76,5	190	24	5 000	5 600	0,72	▶ NKI 70/35	
	100	30	–	84,2	163	20,8	5 000	5 600	0,73	▶ NA 4914	
70	100	54	–	128	285	36	5 000	5 600	1,35	▶ NA 6914	
	75	105	25	–	69,3	132	16,6	4 800	5 300	0,64	▶ NKI 75/25
105		30	–	84,2	170	21,6	4 800	5 300	0,78	▶ NA 4915	
105		35	–	96,8	200	26	4 800	5 300	0,91	▶ NKI 75/35	
75	105	54	–	130	290	37,5	4 800	5 300	1,45	▶ NA 6915	
	80	110	25	–	72,1	140	18	4 500	5 000	0,68	▶ NKI 80/25
110		30	–	88	183	23,2	4 500	5 000	0,88	▶ NA 4916	
110		35	–	101	216	28	4 500	5 000	0,96	▶ NKI 80/35	
80	110	54	–	134	315	40	4 500	5 000	1,5	▶ NA 6916	
	85	115	26	–	73,7	146	18,6	4 300	4 800	0,74	▶ NKI 85/26
115		36	–	105	232	30	4 300	4 800	1,05	▶ NKI 85/36	
120		35	–	108	250	31	4 000	4 500	1,25	▶ NA 4917	
85	120	63	–	165	425	53	4 000	4 500	2,2	▶ NA 6917	
	90	120	26	–	76,5	156	19,6	4 000	4 500	0,78	▶ NKI 90/26
120		36	–	108	250	31	4 000	4 500	1,1	▶ NKI 90/36	
125		35	–	112	265	32,5	3 800	4 300	1,3	▶ NA 4918	
90	125	63	–	172	450	55	3 800	4 300	2,3	▶ NA 6918	

▶ Popular item



Dimensions				Abutment and fillet dimensions		
d	F	r _{1,2} min.	s max.	d _a min.	D _a max.	r _a max.
mm				mm		
60	68	0,6	1	64	78	0,6
	68	0,6	1	64	78	0,6
	68	1	1,5	65	80	1
	68	1	1,5	65	80	1
65	72	1	1	70	85	1
	72	1	1,5	70	85	1
	73	1	1	70	85	1
	72	1	1,5	70	85	1
70	80	1	0,8	75	90	1
	80	1	0,8	75	90	1
	80	1	1,5	75	95	1
	80	1	1	75	95	1
75	85	1	1	80	100	1
	85	1	1,5	80	100	1
	85	1	1	80	100	1
	85	1	1	80	100	1
80	90	1	1	85	105	1
	90	1	1,5	85	105	1
	90	1	1	85	105	1
	90	1	1	85	105	1
85	95	1	1,5	90	110	1
	95	1	1,5	90	110	1
	100	1,1	1	91,5	113,5	1
	100	1,1	1	91,5	113,5	1
90	100	1	1,5	95	115	1
	100	1	1,5	95	115	1
	105	1,1	1	96,5	118,5	1
	105	1,1	1	96,5	118,5	1

7.4 Needle roller bearings with machined rings with flanges, with an inner ring d 95 – 320 mm

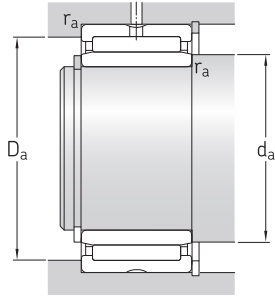


NKI
NA 48
NA 49

NA 69

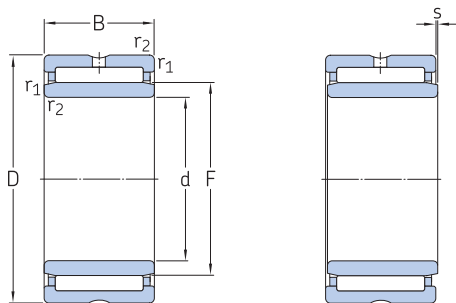
Principal dimensions				Basic load ratings		Fatigue load limit	Speed ratings		Mass	Designation	
d	D	B	C	dynamic	static		Reference speed	Limiting speed			
				C	C ₀	P _u					
mm				kN		kN	r/min		kg	–	
95	125	26	–	78,1	166	20,4	3 800	4 300	0,82	▶ NKI 95/26 NKI 95/36 ▶ NA 4919	
	125	36	–	112	265	32,5	3 800	4 300	1,15		
	130	35	–	114	270	33,5	3 600	4 000	1,35		
	130	63	–	172	465	56	3 600	4 000	2,5	▶ NA 6919	
100	130	30	–	96,8	220	27	3 600	4 000	0,99	▶ NKI 100/30 ▶ NKI 100/40 ▶ NA 4920	
	130	40	–	123	305	37,5	3 600	4 000	1,35		
	140	40	–	125	280	34	3 400	4 000	1,9		
110	140	30	–	93,5	232	27	3 400	3 800	1,1	▶ NA 4822 ▶ NA 4922	
	150	40	–	130	300	35,5	3 200	3 600	2,05		
120	150	30	–	99	255	29	3 200	3 600	1,15	▶ NA 4824 ▶ NA 4924	
	165	45	–	176	405	49	3 000	3 400	2,85		
130	165	35	–	119	325	36,5	2 800	3 200	1,8	▶ NA 4826 ▶ NA 4926	
	180	50	–	198	480	57	2 600	3 000	3,9		
140	175	35	–	121	345	37,5	2 600	3 000	1,9	▶ NA 4828 ▶ NA 4928	
	190	50	–	205	510	60	2 400	2 800	4,15		
150	190	40	–	147	415	46,5	2 400	2 800	2,7	▶ NA 4830	
160	200	40	–	157	450	49	2 200	2 600	2,85	▶ NA 4832	
170	215	45	–	179	520	56	2 200	2 400	3,95	▶ NA 4834	
180	225	45	–	190	570	60	2 000	2 400	4,2	▶ NA 4836	
190	240	50	–	220	710	73,5	1 900	2 200	5,55	▶ NA 4838	
200	250	50	–	224	735	75	1 800	2 000	5,8	▶ NA 4840	
220	270	50	–	238	815	81,5	1 700	1 900	6,35	▶ NA 4844	
240	300	60	–	347	1 120	112	1 500	1 700	9,9	▶ NA 4848	
260	320	60	–	358	1 200	118	1 400	1 500	10,5	▶ NA 4852	
280	350	69	–	429	1 320	129	1 300	1 400	15,5	▶ NA 4856	
300	380	80	–	594	1 800	173	1 100	1 300	22	NA 4860	
320	400	80	–	605	1 900	176	1 100	1 200	23	NA 4864	

▶ Popular item



Dimensions				Abutment and fillet dimensions		
d	F	r _{1,2} min.	s max.	d _a min.	D _a max.	r _a max.
mm				mm		
95	105	1	1,5	100	120	1
	105	1	1,5	100	120	1
	110	1,1	1	101,5	123,5	1
	110	1,1	1	101,5	123,5	1
100	110	1,1	1,5	106,5	123,5	1
	110	1,1	2	106,5	123,5	1
	115	1,1	2	106,5	133,5	1
110	120	1	0,8	115	135	1
	125	1,1	2	116,5	143,5	1
120	130	1	0,8	125	145	1
	135	1,1	2	126,5	158,5	1
130	145	1,1	1	136,5	158,5	1
	150	1,5	1,5	138	172	1,5
140	155	1,1	1	146,5	168,5	1
	160	1,5	1,5	148	182	1,5
150	165	1,1	1,5	156,5	183,5	1
160	175	1,1	1,5	166,5	193,5	1
170	185	1,1	1,5	176,5	208,5	1
180	195	1,1	1,5	186,5	218,5	1
190	210	1,5	1,5	198	232	1,5
200	220	1,5	1,5	208	242	1,5
220	240	1,5	1,5	228	262	1,5
240	265	2	2	249	291	2
260	285	2	2	269	311	2
280	305	2	2,5	289	341	2
300	330	2,1	2	311	369	2
320	350	2,1	2	331	389	2

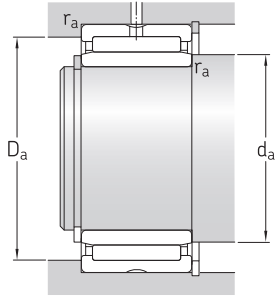
7.4 Needle roller bearings with machined rings with flanges, with an inner ring d 340 – 380 mm



Principal dimensions				Basic load ratings		Fatigue load limit	Speed ratings		Mass	Designation
d	D	B	C	dynamic	static		Reference speed	Limiting speed		
mm				C	C ₀	P _u	r/min		kg	–
340	420	80	–	616	1 960	183	1 000	1 200	24	NA 4868
360	440	80	–	627	2 040	186	950	1 100	25,5	NA 4872
380	480	100	–	968	3 000	270	900	1 000	42,5	NA 4876

7.4





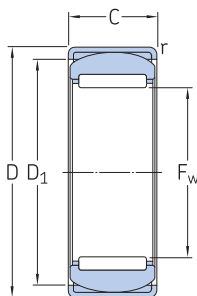
Dimensions

Abutment and fillet dimensions

d	F	$r_{1,2}$ min.	s max.	d_a min.	D_a max.	r_a max.
mm				mm		
340	370	2,1	2	351	409	2
360	390	2,1	2	371	429	2
380	415	2,1	2	391	469	2

7.5 Alignment needle roller bearings, without an inner ring

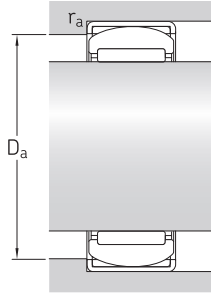
F_w 15 – 45 mm



Principal dimensions			Basic load ratings		Fatigue load limit P_u	Speed ratings		Mass kg	Designation
F_w	D	C	dynamic C	static C_0		Reference speed	Limiting speed		
mm			kN		kN	r/min			–
15	28	12	7,37	9,15	1,08	24 000	28 000	0,032	RPNA 15/28
18	32	16	12,8	17,6	2,12	22 000	24 000	0,052	RPNA 18/32
20	35	16	13,2	19,3	2,28	19 000	22 000	0,062	▶ RPNA 20/35
25	42	20	19	32,5	4	16 000	18 000	0,11	▶ RPNA 25/42
30	47	20	22,9	38	4,8	13 000	15 000	0,13	▶ RPNA 30/47
35	52	20	24,6	45	5,6	11 000	13 000	0,13	▶ RPNA 35/52
40	55	20	26,4	51	6,3	10 000	11 000	0,14	RPNA 40/55
45	62	20	27,5	57	7,1	9 000	10 000	0,18	▶ RPNA 45/62

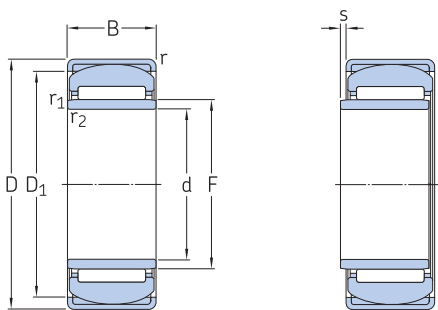
7.5





Dimensions			Abutment and fillet dimensions		
F_w	D_1	$r_{\min.}$	$D_a_{\min.}$	$D_a_{\max.}$	$r_a_{\max.}$
mm			mm		
15	24,5	0,8	23,5	24,5	0,8
18	27	0,8	26	27	0,8
20	30,5	0,8	29,5	30,5	0,8
25	36,5	0,8	35	37	0,8
30	42	0,8	41	42	0,8
35	47,5	0,8	46,5	47,5	0,8
40	50,5	0,8	49,5	50,5	0,8
45	58	0,8	57	58	0,8

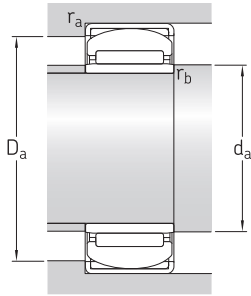
7.6 Alignment needle roller bearings, with an inner ring d 12 – 40 mm



Principal dimensions			Basic load ratings		Fatigue load limit	Speed ratings		Mass	Designation
d	D	B	dynamic	static		Reference speed	Limiting speed		
mm			kN		kN	r/min		kg	–
12	28	12	7,37	9,15	1,08	24 000	28 000	0,037	PNA 12/28
15	32	16	12,8	17,6	2,12	22 000	24 000	0,062	▶ PNA 15/32
17	35	16	13,2	19,3	2,28	19 000	22 000	0,073	▶ PNA 17/35
20	42	20	19	32,5	4	16 000	18 000	0,14	▶ PNA 20/42
22	44	20	22	36,5	4,55	14 000	16 000	0,15	PNA 22/44
25	47	20	22,9	38	4,8	13 000	15 000	0,16	PNA 25/47
30	52	20	24,6	45	5,6	11 000	13 000	0,18	▶ PNA 30/52
35	55	20	26,4	51	6,3	10 000	11 000	0,18	▶ PNA 35/55
40	62	20	27,5	57	7,1	9 000	10 000	0,23	▶ PNA 40/62

7.6





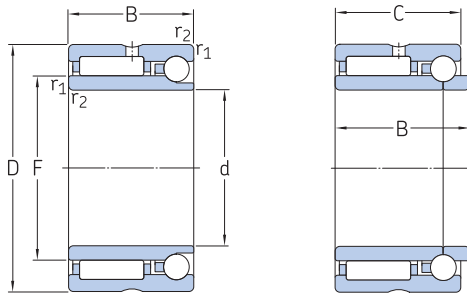
Dimensions						Abutment and fillet dimensions				
d	F	D ₁	r min.	r _{1,2} min.	s max.	d _a min.	D _a min.	D _a max.	r _a max.	r _b max.
mm						mm				
12	15	24,5	0,8	0,3	0,5	14	23,5	24,5	0,8	0,3
15	18	27	0,8	0,3	0,5	17	26	27	0,8	0,3
17	20	30,5	0,8	0,3	0,5	19	29,5	30,5	0,8	0,3
20	25	36,5	0,8	0,3	0,5	22	35	37	0,8	0,3
22	28	38,5	0,8	0,3	0,5	24	37,5	39	0,8	0,3
25	30	42	0,8	0,3	0,5	25	41	42	0,8	0,3
30	35	47,5	0,8	0,3	0,5	32	46,5	47,5	0,8	0,3
35	40	50,5	0,8	0,3	0,5	37	49,5	50,5	0,8	0,3
40	45	58	0,8	0,3	0,5	42	57	58	0,8	0,3

7.6



7.7 Needle roller / angular contact ball bearings

d 12 – 70 mm

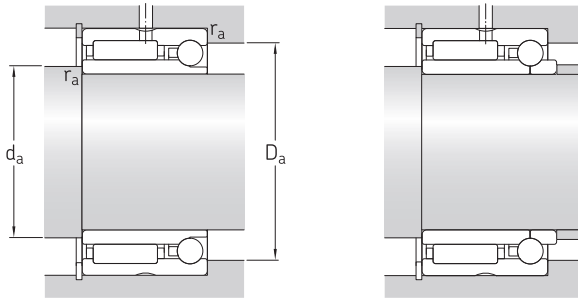


NKIA

NKIB

Principal dimensions				Basic load ratings				Fatigue load limit		Speed ratings		Mass	Designation
d	D	B	C	radial dynamic C	static C ₀	axial dynamic C	static C ₀	radial P _u	axial P _u	Reference speed	Limiting speed	kg	
mm				kN				kN		r/min		kg	–
12	24	16	–	8,09	9,65	2,07	1,92	1,14	0,083	22 000	26 000	0,04	▶ NKIA 5901
	24	17,5	16	8,09	9,65	2,07	1,92	1,14	0,083	22 000	26 000	0,043	▶ NKIB 5901
15	28	18	–	11,2	15,3	2,27	2,37	1,83	0,099	19 000	22 000	0,05	▶ NKIA 5902
	28	20	18	11,2	15,3	2,27	2,37	1,83	0,099	19 000	22 000	0,052	▶ NKIB 5902
17	30	18	–	11,4	16,3	2,24	2,74	1,96	0,116	18 000	20 000	0,056	▶ NKIA 5903
	30	20	18	11,4	16,3	2,24	2,74	1,96	0,116	18 000	20 000	0,058	▶ NKIB 5903
20	37	23	–	21,6	28	3,79	4,21	3,35	0,176	15 000	17 000	0,1	▶ NKIA 5904
	37	25	23	21,6	28	3,79	4,21	3,35	0,176	15 000	17 000	0,11	▶ NKIB 5904
22	39	23	–	23,3	32	4,14	4,93	3,9	0,205	14 000	15 000	0,12	NKIA 59/22
	39	25	23	23,3	32	4,14	4,93	3,9	0,205	14 000	15 000	0,12	▶ NKIB 59/22
25	42	23	–	24,2	34,5	4,24	5,26	4,15	0,224	13 000	15 000	0,13	▶ NKIA 5905
	42	25	23	24,2	34,5	4,24	5,26	4,15	0,224	13 000	15 000	0,13	▶ NKIB 5905
30	47	23	–	25,5	39	4,54	6,32	4,65	0,268	11 000	13 000	0,15	▶ NKIA 5906
	47	25	23	25,5	39	4,54	6,32	4,65	0,268	11 000	13 000	0,15	▶ NKIB 5906
35	55	27	–	31,9	54	5,83	8,42	6,7	0,355	9 500	11 000	0,24	▶ NKIA 5907
	55	30	27	31,9	54	5,83	8,42	6,7	0,355	9 500	11 000	0,25	▶ NKIB 5907
40	62	30	–	42,9	71	7,17	10,9	8,8	0,467	8 000	9 500	0,32	▶ NKIA 5908
	62	34	30	42,9	71	7,17	10,9	8,8	0,467	8 000	9 500	0,32	▶ NKIB 5908
45	68	30	–	45,7	78	7,47	12	9,65	0,513	7 500	8 500	0,38	NKIA 5909
	68	34	30	45,7	78	7,47	12	9,65	0,513	7 500	8 500	0,38	▶ NKIB 5909
50	72	30	–	47,3	85	7,74	13,7	10,6	0,579	7 000	8 000	0,38	▶ NKIA 5910
	72	34	30	47,3	85	7,74	13,7	10,6	0,579	7 000	8 000	0,39	▶ NKIB 5910
55	80	34	–	57,2	106	9,27	16,7	13,2	0,697	6 300	7 000	0,55	NKIA 5911
	80	38	34	57,2	106	9,27	16,7	13,2	0,697	6 300	7 000	0,56	▶ NKIB 5911
60	85	34	–	60,5	114	9,58	18	14,3	0,77	6 000	6 700	0,59	▶ NKIA 5912
	85	38	34	60,5	114	9,58	18	14,3	0,77	6 000	6 700	0,6	▶ NKIB 5912
65	90	34	–	61,6	120	9,96	19,2	14,6	0,816	5 600	6 300	0,64	NKIA 5913
	90	38	34	61,6	120	9,96	19,2	14,6	0,816	5 600	6 300	0,64	▶ NKIB 5913
70	100	40	–	84,2	163	13,2	25	20,8	1,05	5 000	5 600	0,98	NKIA 5914
	100	45	40	84,2	163	13,2	25	20,8	1,05	5 000	5 600	0,99	▶ NKIB 5914

▶ Popular item



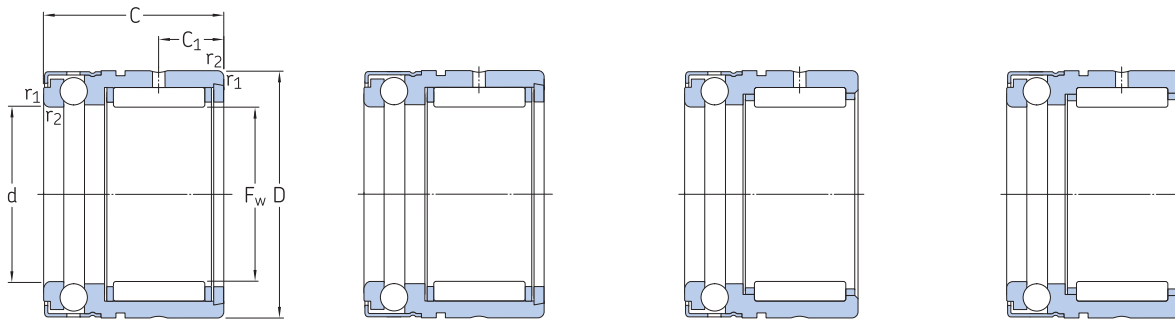
Dimensions

Abutment and fillet dimensions

d	F	r _{1,2} min.	d _a min.	D _a max.	r _a max.
mm			mm		
12	16	0,3	14	22	0,3
	16	0,3	14	22	0,3
15	20	0,3	17	26	0,3
	20	0,3	17	26	0,3
17	22	0,3	19	28	0,3
	22	0,3	19	28	0,3
20	25	0,3	22	35	0,3
	25	0,3	22	35	0,3
22	28	0,3	24	37	0,3
	28	0,3	24	37	0,3
25	30	0,3	27	40	0,3
	30	0,3	27	40	0,3
30	35	0,3	32	45	0,3
	35	0,3	32	45	0,3
35	42	0,6	39	51	0,6
	42	0,6	39	51	0,6
40	48	0,6	44	58	0,6
	48	0,6	44	58	0,6
45	52	0,6	49	64	0,6
	52	0,6	49	64	0,6
50	58	0,6	54	68	0,6
	58	0,6	54	68	0,6
55	63	1	60	75	1
	63	1	60	75	1
60	68	1	65	80	1
	68	1	65	80	1
65	72	1	70	85	1
	72	1	70	85	1
70	80	1	75	95	1
	80	1	75	95	1

7.8 Needle roller / thrust ball bearings, full complement thrust bearing

F_w 7 – 35 mm



NX
($F_w = 7$ mm)

NX..Z
($F_w = 7$ mm)

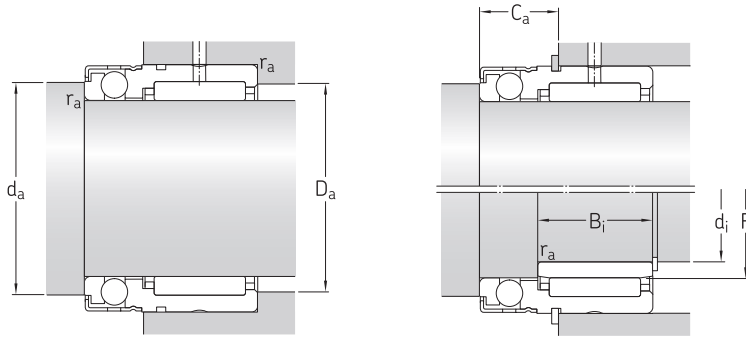
NX
($F_w \geq 10$ mm)

NX..Z
($F_w \geq 10$ mm)

Principal dimensions			Basic load ratings				Fatigue load limit		Minimum load factor	Speed ratings		Mass	Designation
F_w	D	C	radial dynamic C	static dynamic C_0	axial dynamic C	static C_0	radial P_u	axial P_u	A	Reference speed	Limiting speed	kg	
mm			kN				kN		–	r/min			–
7	14	18	2,81	2,75	3,45	5	0,29	0,186	0,00013	10 000	6 000	0,014	▶ NX 7 ZTN NX 7 TN
	14	18	2,81	2,75	3,45	5	0,29	0,186	0,00013	10 000	11 000	0,014	
10	19	18	4,95	4,55	5,07	8,5	0,53	0,31	0,00038	8 500	5 600	0,025	▶ NX 10 Z NX 10
	19	18	4,95	4,55	5,07	8,5	0,53	0,31	0,00038	8 500	9 500	0,025	
12	21	18	5,39	5,2	5,27	9,65	0,61	0,355	0,00048	8 000	5 300	0,028	▶ NX 12 Z NX 12
	21	18	5,39	5,2	5,27	9,65	0,61	0,355	0,00048	8 000	9 000	0,028	
15	24	28	11	14	6,18	12,2	1,66	0,45	0,00077	7 500	5 300	0,048	NX 15 Z NX 15
	24	28	11	14	6,18	12,2	1,66	0,45	0,00077	7 500	8 500	0,048	
17	26	28	12,1	16,6	6,37	13,4	1,96	0,5	0,00093	7 000	5 000	0,053	NX 17 Z NX 17
	26	28	12,1	16,6	6,37	13,4	1,96	0,5	0,00093	7 000	8 500	0,053	
20	30	28	13,2	19,3	7,8	17,3	2,28	0,64	0,0016	6 300	4 500	0,068	▶ NX 20 Z NX 20
	30	28	13,2	19,3	7,8	17,3	2,28	0,64	0,0016	6 300	7 500	0,068	
25	37	30	15,1	24,5	12,4	28,5	2,9	1,06	0,0042	5 600	3 800	0,12	NX 25 Z NX 25
	37	30	15,1	24,5	12,4	28,5	2,9	1,06	0,0042	5 600	6 300	0,12	
30	42	30	22,9	38	12,7	32,5	4,8	1,2	0,0055	5 300	3 600	0,13	▶ NX 30 Z NX 30
	42	30	22,9	38	12,7	32,5	4,8	1,2	0,0055	5 300	6 000	0,13	
35	47	30	24,6	45	13,5	38	5,6	1,4	0,0075	5 000	3 400	0,16	NX 35 Z NX 35
	47	30	24,6	45	13,5	38	5,6	1,4	0,0075	5 000	5 600	0,16	

7.8





Dimensions				Abutment and fillet dimensions				Associated inner ring ¹⁾ Dimensions			Designation	Associated snap ring ²⁾ Designation
F _w	C ₁	d	r _{1,2} min.	d _a min.	D _a max.	C _a	r _a max.	d _i	F	B _i		
mm				mm				mm			-	-
7	4,7	7	0,3	9,6	12	10	0,3	-	-	-	-	SW 14
	4,7	7	0,3	9,6	12	10	0,3	-	-	-	-	SW 14
10	4,7	10	0,3	14,6	17	10	0,3	6	10	10	IR 6x10x10 IS1	SW 19
	4,7	10	0,3	14,6	17	10	0,3	6	10	10	IR 6x10x10 IS1	SW 19
12	4,7	12	0,3	16,6	19	10	0,3	8	12	10	IR 8x12x10 IS1	SW 21
	4,7	12	0,3	16,6	19	10	0,3	8	12	10	IR 8x12x10 IS1	SW 21
15	8	15	0,3	19	22	12,2	0,3	12	15	16	IR 12x15x16	SW 24
	8	15	0,3	19	22	12,2	0,3	12	15	16	IR 12x15x16	SW 24
17	8	17	0,3	21	24	12,2	0,3	14	17	17	IR 14x17x17	SW 26
	8	17	0,3	21	24	12,2	0,3	14	17	17	IR 14x17x17	SW 26
20	8	20	0,3	25	28	12,2	0,3	17	20	16	IR 17x20x16	SW 30
	8	20	0,3	25	28	12,2	0,3	17	20	16	IR 17x20x16	SW 30
25	8	25	0,3	31,6	35	14,2	0,3	20	25	16	IR 20x25x16 IS1	SW 37
	8	25	0,3	31,6	35	14,2	0,3	20	25	16	IR 20x25x16 IS1	SW 37
30	10	30	0,3	36,5	40	14,2	0,3	25	30	20	IR 25x30x20	SW 42
	10	30	0,3	36,5	40	14,2	0,3	25	30	20	IR 25x30x20	SW 42
35	10	35	0,3	40,5	45	14,2	0,3	30	35	20	IR 30x35x20	SW 47
	10	35	0,3	40,5	45	14,2	0,3	30	35	20	IR 30x35x20	SW 47

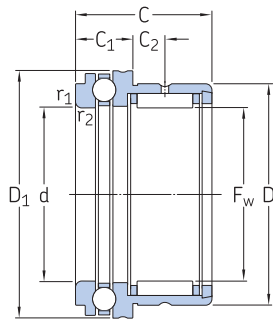
7.8

¹⁾ For additional information → Needle roller bearing inner rings, page 593

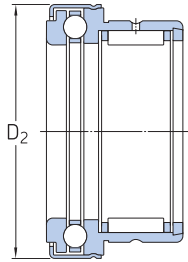
²⁾ In accordance with DIN 471, not supplied by SKF.

7.9 Needle roller / thrust ball bearings, thrust bearing with a cage

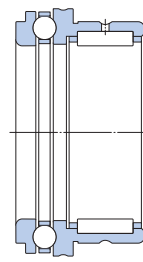
F_w 10 – 70 mm



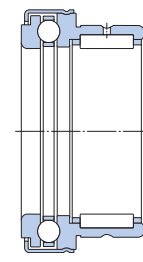
NKX
($F_w = 10$ mm)



NKX..Z
($F_w = 10$ mm)



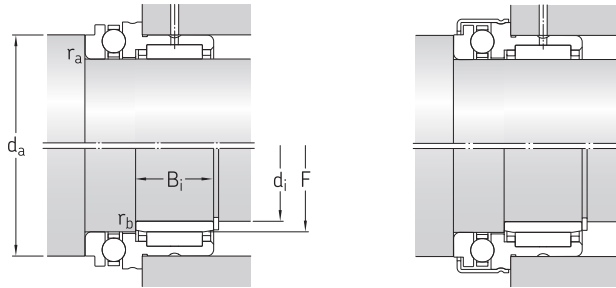
NKX
($F_w \geq 12$ mm)



NKX..Z
($F_w \geq 12$ mm)

Principal dimensions	Basic load ratings						Fatigue load limit		Minimum load factor	Speed ratings		Mass	Designation	
	F_w	D	C	radial dynamic C	static C_0	axial dynamic C	static C_0	radial P_u		axial P_u	Reference speed			Limiting speed
mm		kN						kN		–	r/min		kg	–
10	19	23	5,94	8	9,95	15,3	0,9	0,56	0,0012	9 500	8 000	0,036	▶ NKX 10 ZTN ▶ NKX 10 TN	
	19	23	5,94	8	9,95	15,3	0,9	0,56	0,0012	9 500	13 000	0,034		
12	21	23	9,13	12	10,4	16,6	1,43	0,62	0,0014	9 000	7 500	0,04	▶ NKX 12 Z ▶ NKX 12	
	21	23	9,13	12	10,4	16,6	1,43	0,62	0,0014	9 000	13 000	0,038		
15	24	23	11	14	10,6	18,3	1,66	0,67	0,0017	8 500	7 000	0,047	▶ NKX 15 Z ▶ NKX 15	
	24	23	11	14	10,6	18,3	1,66	0,67	0,0017	8 500	12 000	0,044		
17	26	25	12,1	16,6	10,8	19,6	1,96	0,735	0,002	8 500	7 000	0,055	▶ NKX 17 Z ▶ NKX 17	
	26	25	12,1	16,6	10,8	19,6	1,96	0,735	0,002	8 500	12 000	0,053		
20	30	30	16,5	25,5	14,3	27	3,05	1	0,0038	7 500	6 000	0,09	▶ NKX 20 Z ▶ NKX 20	
	30	30	16,5	25,5	14,3	27	3,05	1	0,0038	7 500	10 000	0,083		
25	37	30	19	32,5	19,5	40,5	4	1,5	0,0085	6 300	5 500	0,13	▶ NKX 25 Z ▶ NKX 25	
	37	30	19	32,5	19,5	40,5	4	1,5	0,0085	6 300	9 000	0,13		
30	42	30	22,9	38	20,3	45,5	4,8	1,7	0,01	6 000	5 000	0,14	▶ NKX 30 Z ▶ NKX 30	
	42	30	22,9	38	20,3	45,5	4,8	1,7	0,01	6 000	8 500	0,14		
35	47	30	24,6	45	21,2	51	5,6	1,9	0,013	5 600	4 500	0,17	▶ NKX 35 Z ▶ NKX 35	
	47	30	24,6	45	21,2	51	5,6	1,9	0,013	5 600	7 500	0,16		
40	52	32	26,4	51	27	68	6,3	2,55	0,024	5 000	4 000	0,21	▶ NKX 40 Z ▶ NKX 40	
	52	32	26,4	51	27	68	6,3	2,55	0,024	5 000	7 000	0,2		
45	58	32	27,5	57	28,1	75	7,1	2,8	0,029	4 500	3 800	0,27	▶ NKX 45 Z ▶ NKX 45	
	58	32	27,5	57	28,1	75	7,1	2,8	0,029	4 500	6 300	0,25		
50	62	35	38	78	28,6	81,5	9,65	3,05	0,034	4 300	3 600	0,3	▶ NKX 50 Z ▶ NKX 50	
	62	35	38	78	28,6	81,5	9,65	3,05	0,034	4 300	6 300	0,28		
60	72	40	41,8	96,5	41,6	122	11,8	4,55	0,077	3 600	3 000	0,38	▶ NKX 60 Z ▶ NKX 60	
	72	40	41,8	96,5	41,6	122	11,8	4,55	0,077	3 600	5 000	0,36		
70	85	40	44,6	98	43,6	137	12,2	5,1	0,097	3 400	2 700	0,52	▶ NKX 70 Z ▶ NKX 70	
	85	40	44,6	98	43,6	137	12,2	5,1	0,097	3 400	4 500	0,5		

▶ Popular item

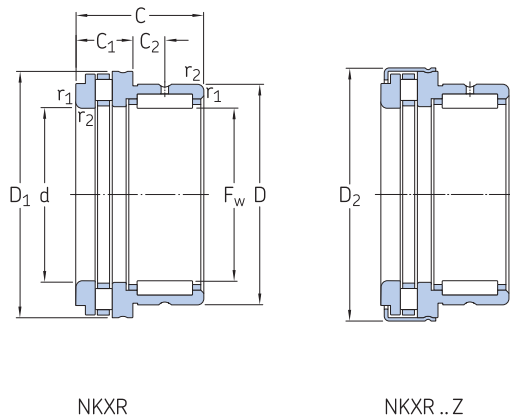


Dimensions						Abutment and fillet dimensions				Associated inner ring ¹⁾ Dimensions			Designation
F _w	C ₁	C ₂	d	D ₁	D ₂	r _{1,2} min.	d _a min.	r _a max.	r _b max.	d _i	F	B _i	
mm						mm				mm			–
10	9	6,5	10	–	25,2	0,3	19,7	0,3	0,3	7	10	16	IR 7x10x16
	9	6,5	10	24,1	–	0,3	19,7	0,3	0,3	7	10	16	IR 7x10x16
12	9	6,5	12	–	27,2	0,3	21,7	0,3	0,3	9	12	16	IR 9x12x16
	9	6,5	12	26,1	–	0,3	21,7	0,3	0,3	9	12	16	IR 9x12x16
15	9	6,5	15	–	29,2	0,3	23,7	0,3	0,3	12	15	16	IR 12x15x16
	9	6,5	15	28,1	–	0,3	23,7	0,3	0,3	12	15	16	IR 12x15x16
17	9	8	17	–	31,2	0,3	25,7	0,3	0,3	14	17	17	IR 14x17x17
	9	8	17	30,1	–	0,3	25,7	0,3	0,3	14	17	17	IR 14x17x17
20	10	10,5	20	–	36,2	0,3	30,7	0,3	0,3	17	20	20	IR 17x20x20
	10	10,5	20	35,1	–	0,3	30,7	0,3	0,3	17	20	20	IR 17x20x20
25	11	9,5	25	–	43,2	0,6	37,7	0,6	0,3	20	25	20	IR 20x25x20
	11	9,5	25	42,1	–	0,6	37,7	0,6	0,3	20	25	20	IR 20x25x20
30	11	9,5	30	–	48,2	0,6	42,7	0,6	0,3	25	30	20	IR 25x30x20
	11	9,5	30	47,1	–	0,6	42,7	0,6	0,3	25	30	20	IR 25x30x20
35	12	9	35	–	53,2	0,6	47,7	0,6	0,3	30	35	20	IR 30x35x20
	12	9	35	52,1	–	0,6	47,7	0,6	0,3	30	35	20	IR 30x35x20
40	13	10	40	–	61,2	0,6	55,7	0,6	0,3	35	40	20	IR 35x40x20
	13	10	40	60,1	–	0,6	55,7	0,6	0,3	35	40	20	IR 35x40x20
45	14	9	45	–	66,5	0,6	60,5	0,6	0,3	40	45	20	IR 40x45x20
	14	9	45	65,2	–	0,6	60,5	0,6	0,3	40	45	20	IR 40x45x20
50	14	10	50	–	71,5	0,6	65,5	0,6	0,6	45	50	25	IR 45x50x25
	14	10	50	70,2	–	0,6	65,5	0,6	0,6	45	50	25	IR 45x50x25
60	17	12	60	–	86,5	1	80,5	1	1	50	60	25	IR 50x60x25
	17	12	60	85,2	–	1	80,5	1	1	50	60	25	IR 50x60x25
70	18	11	70	–	96,5	1	90,5	1	1	60	70	25	IR 60x70x25
	18	11	70	95,2	–	1	90,5	1	1	60	70	25	IR 60x70x25

¹⁾ For additional information → Needle roller bearing inner rings, page 593

7.10 Needle roller / cylindrical roller thrust bearings

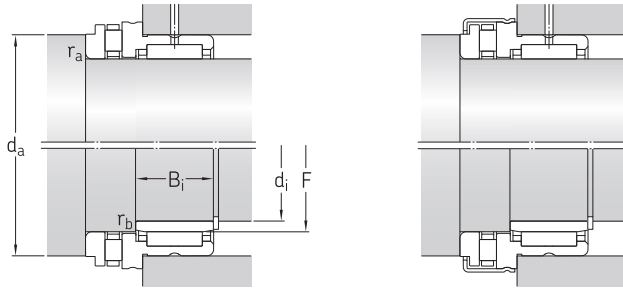
F_w 15 – 50 mm



Principal dimensions			Basic load ratings				Fatigue load limit		Minimum load factor	Speed ratings		Mass	Designation
F _w	D	C	radial dynamic C	static C ₀	axial dynamic C	static C ₀	radial P _u	axial P _u	A	Reference speed	Limiting speed	kg	
mm			kN				kN		–	r/min			–
15	24	23	11	14	11,2	27	1,66	2,45	0,000 058	4 300	8 500	0,042	NKXR 15
	24	23	11	14	11,2	27	1,66	2,45	0,000 058	4 300	8 500	0,045	▶ NKXR 15 Z
17	26	25	12,1	16,6	12,2	31,5	1,96	2,85	0,000 079	4 300	8 500	0,05	▶ NKXR 17
	26	25	12,1	16,6	12,2	31,5	1,96	2,85	0,000 079	4 300	8 500	0,053	▶ NKXR 17 Z
20	30	30	16,5	25,5	18,6	48	3,05	4,65	0,00018	3 800	7 500	0,08	▶ NKXR 20
	30	30	16,5	25,5	18,6	48	3,05	4,65	0,00018	3 800	7 500	0,084	▶ NKXR 20 Z
25	37	30	19	32,5	25	69,5	4	6,8	0,00039	3 200	6 300	0,12	NKXR 25
	37	30	19	32,5	25	69,5	4	6,8	0,00039	3 200	6 300	0,13	▶ NKXR 25 Z
30	42	30	22,9	38	27	78	4,8	7,65	0,00049	3 000	6 000	0,14	NKXR 30
	42	30	22,9	38	27	78	4,8	7,65	0,00049	3 000	6 000	0,14	▶ NKXR 30 Z
35	47	30	24,6	45	29	93	5,6	9,15	0,00069	2 800	5 600	0,16	NKXR 35
	47	30	24,6	45	29	93	5,6	9,15	0,00069	2 800	5 600	0,17	▶ NKXR 35 Z
40	52	32	26,4	51	43	137	6,3	13,7	0,0015	2 400	5 000	0,2	NKXR 40
	52	32	26,4	51	43	137	6,3	13,7	0,0015	2 400	5 000	0,21	▶ NKXR 40 Z
45	58	32	27,5	57	45	153	7,1	15,3	0,0019	2 200	4 500	0,24	NKXR 45
	58	32	27,5	57	45	153	7,1	15,3	0,0019	2 200	4 500	0,26	▶ NKXR 45 Z
50	62	35	38	78	47,5	166	9,65	16,6	0,0022	2 200	4 300	0,27	NKXR 50
	62	35	38	78	47,5	166	9,65	16,6	0,0022	2 200	4 300	0,29	▶ NKXR 50 Z

7.10

▶ Popular item

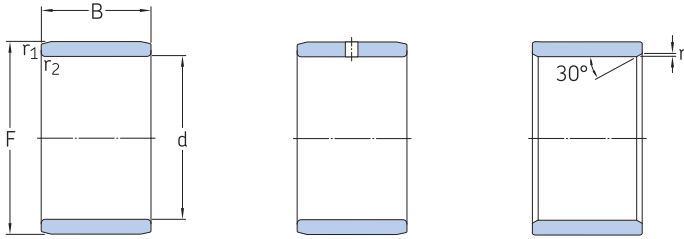


Dimensions						Abutment and fillet dimensions				Associated inner ring ¹⁾ Dimensions			Designation
F _w	C ₁	C ₂	d	D ₁	D ₂	r _{1,2} min.	d _a min.	r _a max.	r _b max.	d _i	F	B _i	
mm						mm				mm			–
15	9	6,5	15	28,1	–	0,3	23,7	0,3	0,3	12	15	16	IR 12x15x16
	9	6,5	15	–	29,2	0,3	23,7	0,3	0,3	12	15	16	IR 12x15x16
17	9	8	17	30,1	–	0,3	25,7	0,3	0,3	14	17	17	IR 14x17x17
	9	8	17	–	31,2	0,3	25,7	0,3	0,3	14	17	17	IR 14x17x17
20	10	10,5	20	35,1	–	0,3	30,7	0,3	0,3	17	20	20	IR 17x20x20
	10	10,5	20	–	36,2	0,3	30,7	0,3	0,3	17	20	20	IR 17x20x20
25	11	9,5	25	42,1	–	0,6	37,7	0,6	0,3	20	25	20	IR 20x25x20
	11	9,5	25	–	43,2	0,6	37,7	0,6	0,3	20	25	20	IR 20x25x20
30	11	9,5	30	47,1	–	0,6	42,7	0,6	0,3	25	30	20	IR 25x30x20
	11	9,5	30	–	48,2	0,6	42,7	0,6	0,3	25	30	20	IR 25x30x20
35	12	9	35	52,1	–	0,6	47,7	0,6	0,3	30	35	20	IR 30x35x20
	12	9	35	–	53,2	0,6	47,7	0,6	0,3	30	35	20	IR 30x35x20
40	13	10	40	60,1	–	0,6	55,7	0,6	0,3	35	40	20	IR 35x40x20
	13	10	40	–	61,2	0,6	55,7	0,6	0,3	35	40	20	IR 35x40x20
45	14	9	45	65,2	–	0,6	60,6	0,6	0,3	40	45	20	IR 40x45x20
	14	9	45	–	66,5	0,6	60,6	0,6	0,3	40	45	20	IR 40x45x20
50	14	10	50	70,2	–	0,6	65,5	0,6	0,6	45	50	25	IR 45x50x25
	14	10	50	–	71,5	0,6	65,5	0,6	0,6	45	50	25	IR 45x50x25

¹⁾ For additional information → Needle roller bearing inner rings, page 593

7.11 Needle roller bearing inner rings

d 5 – 75 mm



IR

IR .. IS1

LR

Dimensions					Mass	Designation	Dimensions					Mass	Designation		
d	F	B	r, r _{1,2} min.				d	F	B	r, r _{1,2} min.					
mm					kg	–	mm					kg	–		
5	8	12	0,3	0,0028		IR 5x8x12	15	18	12,5	0,3	0,0072		LR 15x18x12.5		
	8	16	0,3	0,0037		IR 5x8x16		18	16	0,3	0,0094		IR 15x18x16		
6	9	12	0,3	0,003		▶ IR 6x9x12	19	16	0,3	0,013			IR 15x19x16		
	9	16	0,3	0,0043		IR 6x9x16		19	20	0,3	0,016			IR 15x19x20	
7	10	10,5	0,3	0,0031		▶ IR 7x10x10.5	20	13	0,3	0,014			IR 15x20x13		
	10	10,5	0,3	0,0031		LR 7x10x10.5		20	23	0,3	0,024			IR 15x20x23	
	10	12	0,3	0,0036		▶ IR 7x10x12			17	20	16	0,3	0,011		▶ IR 17x20x16
8	10	16	0,3	0,0049		IR 7x10x16	20	16,5		0,3	0,011			▶ IR 17x20x16.5	
	12	10	0,3	0,0048		▶ IR 8x12x10 IS1	20	16,5	0,3	0,011			LR 17x20x16.5		
	12	10,5	0,3	0,005		IR 8x12x10.5	20	20	0,3	0,014			▶ IR 17x20x20		
	12	10,5	0,3	0,005		LR 8x12x10.5		20	20,5	0,3	0,014			▶ IR 17x20x20.5	
9	12	12,5	0,3	0,0059		▶ IR 8x12x12.5	20	20,5	0,3	0,014			LR 17x20x20.5		
	12	12	0,3	0,0044		IR 9x12x12	20	30,5	0,3	0,021			▶ IR 17x20x30.5		
10	12	16	0,3	0,006		IR 9x12x16		20	30,5	0,3	0,021			LR 17x20x30.5	
	10	13	12,5	0,3	0,0052		▶ IR 10x13x12.5	22	13	0,3	0,015			▶ IR 17x22x13	
13		12,5	0,3	0,0052		LR 10x13x12.5	22		16	0,3	0,018			▶ IR 17x22x16	
14		13	0,3	0,0074		IR 10x14x13			22	23	0,3	0,027			▶ IR 17x22x23
14		16	0,3	0,0092		▶ IR 10x14x16	24		20	0,6	0,034			▶ IR 17x24x20	
12	14	20	0,3	0,012		IR 10x14x20	20	24	16	0,3	0,015			IR 20x24x16	
	12	15	12	0,3	0,0057			IR 12x15x12	24	20	0,3	0,021			▶ IR 20x24x20
12		15	12,5	0,3	0,0061		▶ IR 12x15x12.5	25	12,5	0,3	0,016			LR 20x25x12.5	
	12	15	12,5	0,3	0,0061		LR 12x15x12.5		25	16,5	0,3	0,022			LR 20x25x16.5
12		15	16	0,3	0,0076		▶ IR 12x15x16	25		17	0,3	0,025			IR 20x25x17
	12	15	16,5	0,3	0,0081		IR 12x15x16.5		25	20	0,3	0,028			▶ IR 20x25x20
12		15	22,5	0,3	0,011		IR 12x15x22.5	25		20,5	0,3	0,027			▶ IR 20x25x20.5
	12	15	22,5	0,3	0,011		LR 12x15x22.5		25	20,5	0,3	0,027			LR 20x25x20.5
12		16	13	0,3	0,0085		▶ IR 12x16x13	25		26,5	0,3	0,038			▶ IR 20x25x26.5
	12	16	16	0,3	0,011		IR 12x16x16		25	26,5	0,3	0,038			LR 20x25x26.5
12		16	20	0,3	0,014		▶ IR 12x16x20	25		30	0,3	0,04			▶ IR 20x25x30
	12	16	22	0,3	0,015		IR 12x16x22		25	38,5	0,3	0,053			▶ IR 20x25x38.5
14		17	17	0,3	0,0095		▶ IR 14x17x17	28		20	0,6	0,045			IR 20x28x20

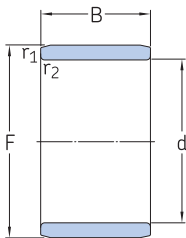
▶ Popular item

Dimensions				Mass	Designation	Dimensions				Mass	Designation		
d	F	B	r, r _{1,2} min.			d	F	B	r, r _{1,2} min.				
mm				kg	–	mm				kg	–		
22	26	16	0,3	0,018	IR 22x26x16	40	45	16,5	0,3	0,041	LR 40x45x16.5		
	26	20	0,3	0,023	IR 22x26x20		45	17	0,3	0,043	IR 40x45x17		
	28	17	0,3	0,03	▶ IR 22x28x17		45	20	0,3	0,049	▶ IR 40x45x20		
	28	20	0,3	0,035	IR 22x28x20		45	20,5	0,3	0,052	IR 40x45x20.5		
	28	20,5	0,3	0,036	IR 22x28x20.5		45	20,5	0,3	0,052	LR 40x45x20.5		
	28	30	0,3	0,054	IR 22x28x30		45	30	0,3	0,084	▶ IR 40x45x30		
	25	29	20	0,3	0,026		IR 25x29x20	48	22	0,6	0,092	▶ IR 40x48x22	
		29	30	0,3	0,039		IR 25x29x30	48	40	0,6	0,17	▶ IR 40x48x40	
		30	12,5	0,3	0,02		▶ LR 25x30x12.5	50	22	1	0,12	IR 40x50x22	
		30	16,5	0,3	0,027		LR 25x30x16.5	42	47	20	0,3	0,053	IR 42x47x20
30		17	0,3	0,027	▶ IR 25x30x17	47	30		0,3	0,081	IR 42x47x30		
30		20	0,3	0,033	▶ IR 25x30x20	45	50	20,5	0,3	0,059	LR 45x50x20.5		
30		20,5	0,3	0,033	▶ IR 25x30x20.5		50	25	0,6	0,071	▶ IR 45x50x25		
30		20,5	0,3	0,033	LR 25x30x20.5		50	25,5	0,3	0,075	IR 45x50x25.5		
30		26,5	0,3	0,046	▶ IR 25x30x26.5	50	50	25,5	0,3	0,075	LR 45x50x25.5		
30		26,5	0,3	0,046	LR 25x30x26.5		50	35	0,6	0,1	▶ IR 45x50x35		
30	30	0,3	0,053	▶ IR 25x30x30	52		22	0,6	0,089	▶ IR 45x52x22			
28	30	32	0,3	0,056	IR 25x30x32	50	52	40	0,6	0,16	IR 45x52x40		
	30	38,5	0,3	0,065	▶ IR 25x30x38.5		55	22	1	0,13	▶ IR 45x55x22		
	30	38,5	0,3	0,065	LR 25x30x38.5		55	55	20,5	0,6	0,064	LR 50x55x20.5	
	32	22	0,6	0,053	IR 25x32x22	55		25	0,6	0,078	▶ IR 50x55x25		
	32	32	17	0,3	0,025	IR 28x32x17		55	35	0,6	0,11	▶ IR 50x55x35	
		32	20	0,3	0,029	IR 28x32x20		58	58	22	0,6	0,12	IR 50x58x22
	30	32	30	0,3	0,044	IR 28x32x30	58		40	0,6	0,21	IR 50x58x40	
		35	35	12,5	0,3	0,023	LR 30x35x12.5	60	25	1	0,16	▶ IR 50x60x25	
			35	13	0,3	0,025	▶ IR 30x35x13	60	60	28	1,1	0,18	IR 50x60x28
			35	16	0,3	0,034	IR 30x35x16		55	60	25	0,6	0,086
35		35	17	0,3	0,036	▶ IR 30x35x17	60			35	0,6	0,12	▶ IR 55x60x35
		35	20	0,3	0,039	▶ IR 30x35x20	63	25		1	0,14	IR 55x63x25	
		35	20,5	0,3	0,04	IR 30x35x20.5	63	63	45	1	0,26	IR 55x63x45	
35		35	20,5	0,3	0,04	LR 30x35x20.5		65	28	1,1	0,2	▶ IR 55x65x28	
		35	26	0,3	0,05	▶ IR 30x35x26		60	65	28	1,1	0,2	▶ IR 55x65x28
		35	30	0,3	0,059	▶ IR 30x35x30	68		25	1	0,15	IR 60x68x25	
32	37	22	0,6	0,062	IR 30x37x22	68	35		0,6	0,21	▶ IR 60x68x35		
	37	37	20	0,3	0,042	IR 32x37x20	68	45	1	0,28	▶ IR 60x68x45		
		37	30	0,3	0,062	▶ IR 32x37x30	70	70	25	1	0,2	▶ IR 60x70x25	
		40	20	0,6	0,068	IR 32x40x20		70	28	1,1	0,22	▶ IR 60x70x28	
35	40	36	0,6	0,12	▶ IR 32x40x36	65	72	25	1	0,14	▶ IR 65x72x25		
	40	40	12,5	0,3	0,027		LR 35x40x12.5	72	45	1	0,26	IR 65x72x45	
		40	16,5	0,3	0,037		LR 35x40x16.5	73	35	1	0,23	IR 65x73x35	
		40	17	0,3	0,038	IR 35x40x17	75	75	28	1,1	0,23	▶ IR 65x75x28	
	40	40	20	0,3	0,044	▶ IR 35x40x20		70	80	25	1	0,22	▶ IR 70x80x25
		40	20,5	0,3	0,046	▶ IR 35x40x20.5			80	30	1	0,27	IR 70x80x30
		40	20,5	0,3	0,046	LR 35x40x20.5	80		35	1	0,31	▶ IR 70x80x35	
	40	40	30	0,3	0,067	▶ IR 35x40x30	80	80	54	1	0,49	▶ IR 70x80x54	
		42	36	0,6	0,12	▶ IR 35x42x36		75	85	25	1	0,24	IR 75x85x25
		43	22	0,6	0,082	IR 35x43x22			85	35	1	0,34	▶ IR 75x85x35
38	43	20	0,3	0,048	IR 38x43x20	85	54	1	0,53	▶ IR 75x85x54			
	43	30	0,3	0,074	IR 38x43x30								

▶ Popular item

7.11 Needle roller bearing inner rings

d 80 – 240 mm



Dimensions				Mass	Designation
d	F	B	r, r _{1,2} min.		
mm				kg	–
80	90	25	1	0,25	▶ IR 80x90x25
	90	30	1	0,3	▶ IR 80x90x30
	90	35	1	0,36	▶ IR 80x90x35
	90	54	1	0,56	▶ IR 80x90x54
85	95	26	1	0,28	▶ IR 85x95x26
	95	36	1	0,39	IR 85x95x36
	100	35	1,1	0,58	▶ IR 85x100x35
	100	63	1,1	1,05	IR 85x100x63
90	100	26	1	0,29	▶ IR 90x100x26
	100	30	1	0,34	IR 90x100x30
	100	36	1	0,41	▶ IR 90x100x36
	105	35	1,1	0,61	▶ IR 90x105x35
95	105	26	1	0,31	IR 95x105x26
100	110	40	1,1	0,51	▶ IR 100x110x40
	115	40	1,1	0,8	▶ IR 100x115x40
110	120	30	1	0,41	▶ IR 110x120x30
	125	40	1,1	0,84	▶ IR 110x125x40
120	130	30	1	0,44	▶ IR 120x130x30
	135	45	1,1	1,05	▶ IR 120x135x45
130	145	35	1,1	0,86	▶ IR 130x145x35
	150	50	1,5	1,7	▶ IR 130x150x50
140	155	35	1,1	0,92	▶ IR 140x155x35
	160	50	1,5	1,8	▶ IR 140x160x50
150	165	40	1,1	1,1	▶ IR 150x165x40
160	175	40	1,1	1,2	▶ IR 160x175x40
170	185	45	1,1	1,45	▶ IR 170x185x45
180	195	45	1,1	1,5	▶ IR 180x195x45
190	210	50	1,5	2,4	▶ IR 190x210x50

Dimensions				Mass	Designation
d	F	B	r, r _{1,2} min.		
mm				kg	–
200	220	50	1,5	2,5	▶ IR 200x220x50
220	240	50	1,5	2,75	▶ IR 220x240x50
240	265	60	2	4,6	IR 240x265x60

7.11



▶ Popular item

